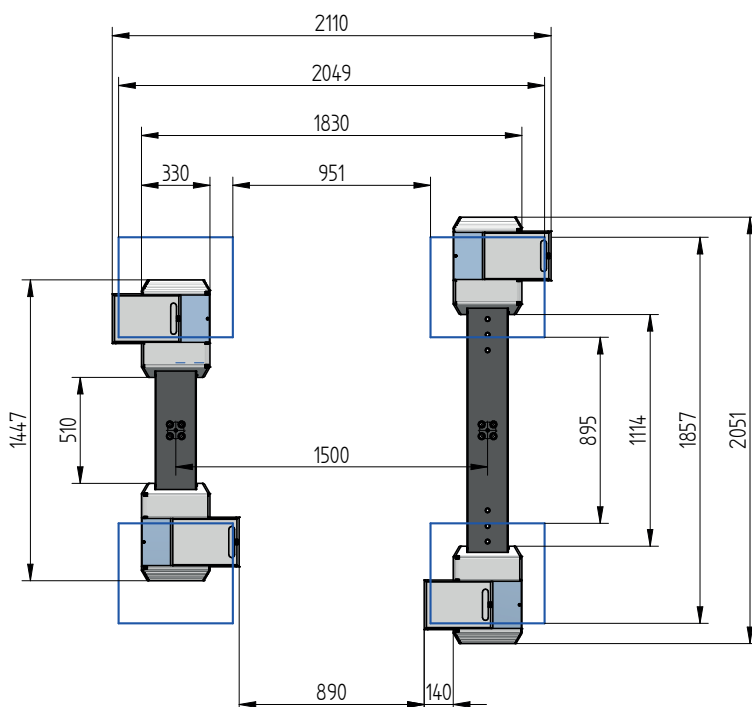
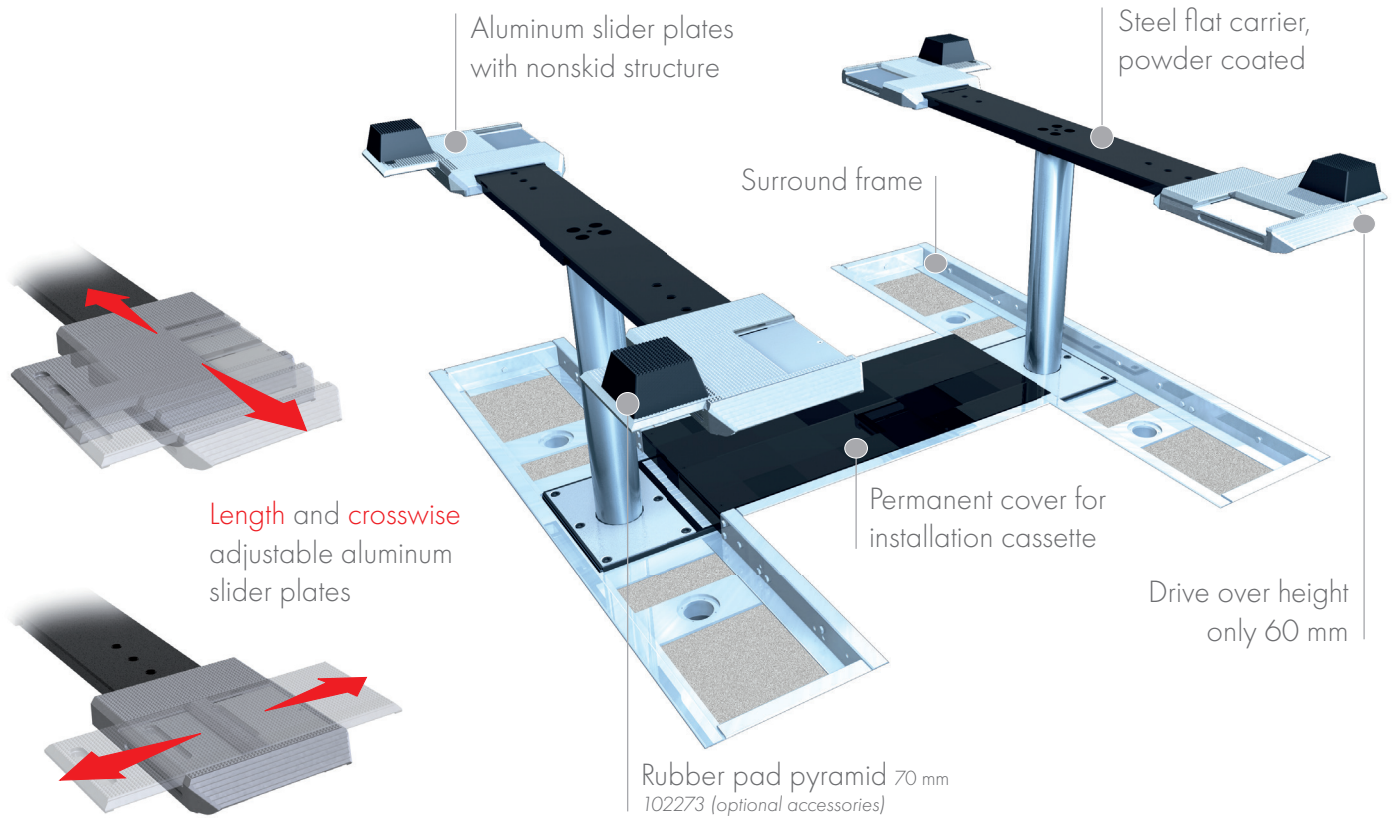


## FLUSH MOUNTED



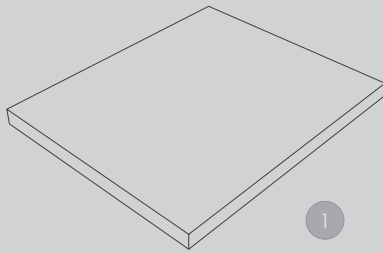
## TECHNICAL DATA

Capacity	3500 kg
Drive over height	60 mm
Piston diameter	123 mm
Piston distance	1500 mm
Motor output	3,0 kW
Power connector	400 V/16 A
Cable length to control	11 m
Lifting time	≈ 35 sec.
Lowering time	≈ 35 sec.

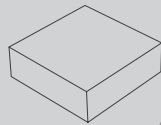
Support Uni 2.35 plus	102640
Support Uni 2.35 plus galvanized	105217
Installation cassette STEEL 1500 mm	2260XX
Installation cassette STEEL 1500 mm galvanized	2261XX
Lifting unit oil 3,5 t 1500 mm - K pre-assembled in installation cassette	109965
Lifting unit oil 3,5 t 1500 mm - H packed in wooden box	109977
Surround frame Uni plus 1500	112328



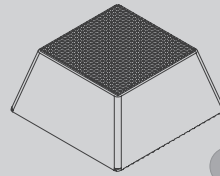
## ACCESSORIES



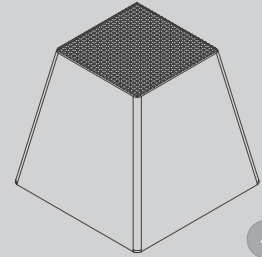
1



2



3



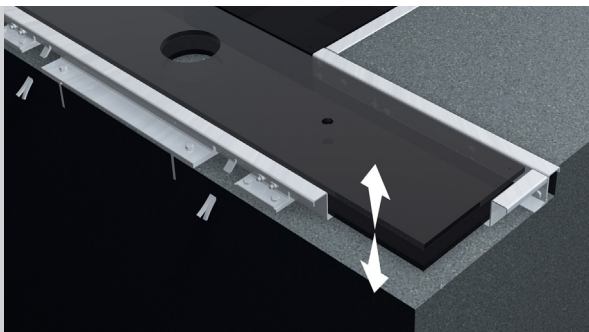
4

1 Rubber pad  
290 x 335 x 20 mm  
102275 (1 Set / 4 Pieces)

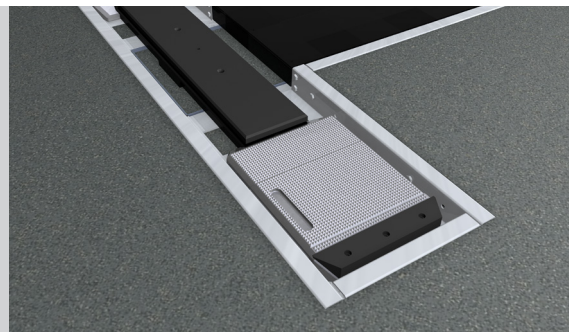
2 Rubber pad  
120 x 120 x 40 mm  
102274 (1 Set / 4 Pieces)

3 Rubber pad pyramid  
70 mm  
102273 (1 Set / 4 Pieces)

4 Rubber pad pyramid  
140 mm  
102291 (1 Set / 4 Pieces)



Floor compensation Uni plus, midi, maxi  
powder coated  
112329



Levelling plates Uni plus  
for flat surface of the carriers  
109604 (1 Set / 2 Pieces)

Levelling wedges Uni plus  
for flat surface of the slider plates  
109605 (1 Set / 2 Pieces)

**Herrmann AG**  
Bahnhofstrasse 32  
D-93483 Pöding

Phone: +49 (0)9461/91388 50  
E-Mail: [sales@herrmann-lifts.com](mailto:sales@herrmann-lifts.com)

[www.herrmann-lifts.com](http://www.herrmann-lifts.com)