

# AKIMBO MK1

## PREMIUM TYRE CHANGER

BEISSBARTH

PREMIUM SERVICE

## Akimbo MK1 – the first of its kind: Changes passenger car tyres up to 30"



### Pneumatic bead pusher

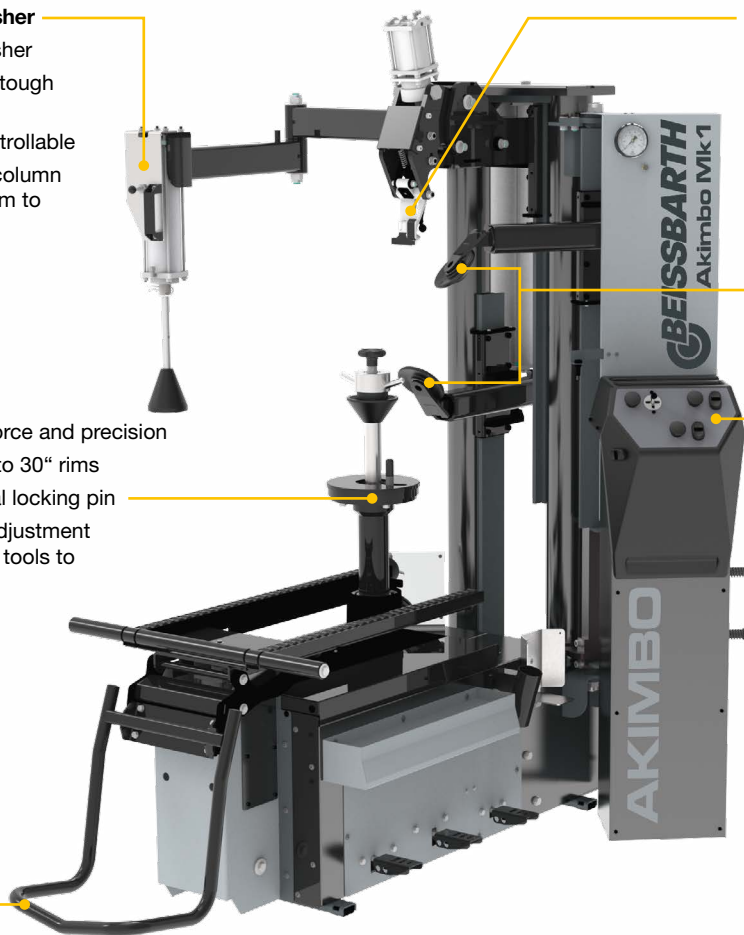
- Powerful bead pusher
- Easier handling of tough assemblies
- Independently controllable
- Mounted to main column and not the tool arm to eliminate flexing

### Center clamping

- Higher clamping force and precision
- Easily handles up to 30" rims
- Robust mechanical locking pin
- Automatic radial adjustment of center post and tools to different rim sizes

### Wheel lift

- Lifts wheels directly onto center post
- No stress on technician's back
- Lifts up to 80 kg assemblies



### Powerful mounting tool

- Eliminates need for lever
- No flexing during tough assemblies
- No contact with the rim
- For mounting and demounting

### Double bead breaker discs

- Synchronized movements but independently controllable
- Effective loosening of the upper and lower bead
- Radially adjust with movement of the center post
- Standard equipped with laser for easier positioning

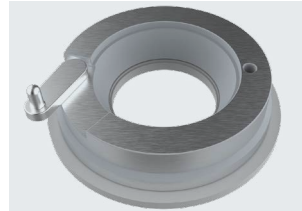
### Intuitive button designs

- Easy navigation
- Technician stays on one side during use
- Automatic removal of all tools via buttons
- Pneumatic control, no Bowden cables

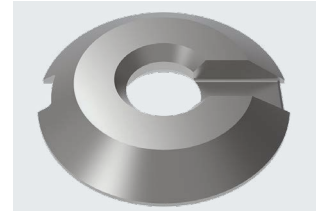
### Scope of delivery:

Description	Akimbo MK1
Order number	1 692 401 007
Clamping range	10–30"
Max. wheel width	15"   380 mm
Max. wheel diameter	47"   1,200 mm
Mounting paste holder	Up to 5 kg
Air supply	8–10 bar
Inflation	Pedal
Power	1,5 kW
Power supply	230 V   1 Ph   50–60 Hz
Rotation speed	8–18 rpm
WDK-approved	●
Bead pusher arm	Premium
Bead breaker discs	2x
Wheel lift	●
Laser positioning	●
<b>Standard accessories</b>	
Upper tool protection	3x
Lower tool protection	2x
Center-post protection	2x
Power plug	●
Brush	●
WDK RFT/UHP clamp	●
WDK rim protector	●
Plastic lever	●
Mounting finger (optional)	1 692 402 016

### Special accessories (optional):



**Light truck spacer**  
For clamping light truck wheels  
Order number: 1 692 402 215



**Light truck cone**  
For clamping light truck wheels  
Order number: 1 692 402 213



**Blast Inflation**  
Quickly seats the bead with powerful air blast  
Order number: 1 692 402 029



**Reversed wheel kit**  
For clamping reversed and closed center rims  
Order number: 1 692 402 024

