

SPRAY GUNS & ACCESSORIES FOR AIRGUNSA

2024 PRICE LIST



PROFESSIONAL COATING EQUIPMENT SPECIALIST



PASSION FOR PAINTING

We are passionate about painting and eager about creating; for this, we design spray guns which help you to cross any boundary.

YOUR CUSTOMERS, OUR MISSION.

GROUP

Anest Iwata carries more than 90 years-experience in the coating industry, combining the most sophisticated Japanese craftsmanship tradition to the continuous search for leading-edge technology.

PASSION & PERFORMANCE

As a global group we aim to deliver the most technically advanced spraying equipment on the market. When designing our products we think about highly professional and creative individual who have passion for painting and are looking for the greatest performance. With this in mind we always try to reach for the highest standards of sophistication, creativity and technical realization.

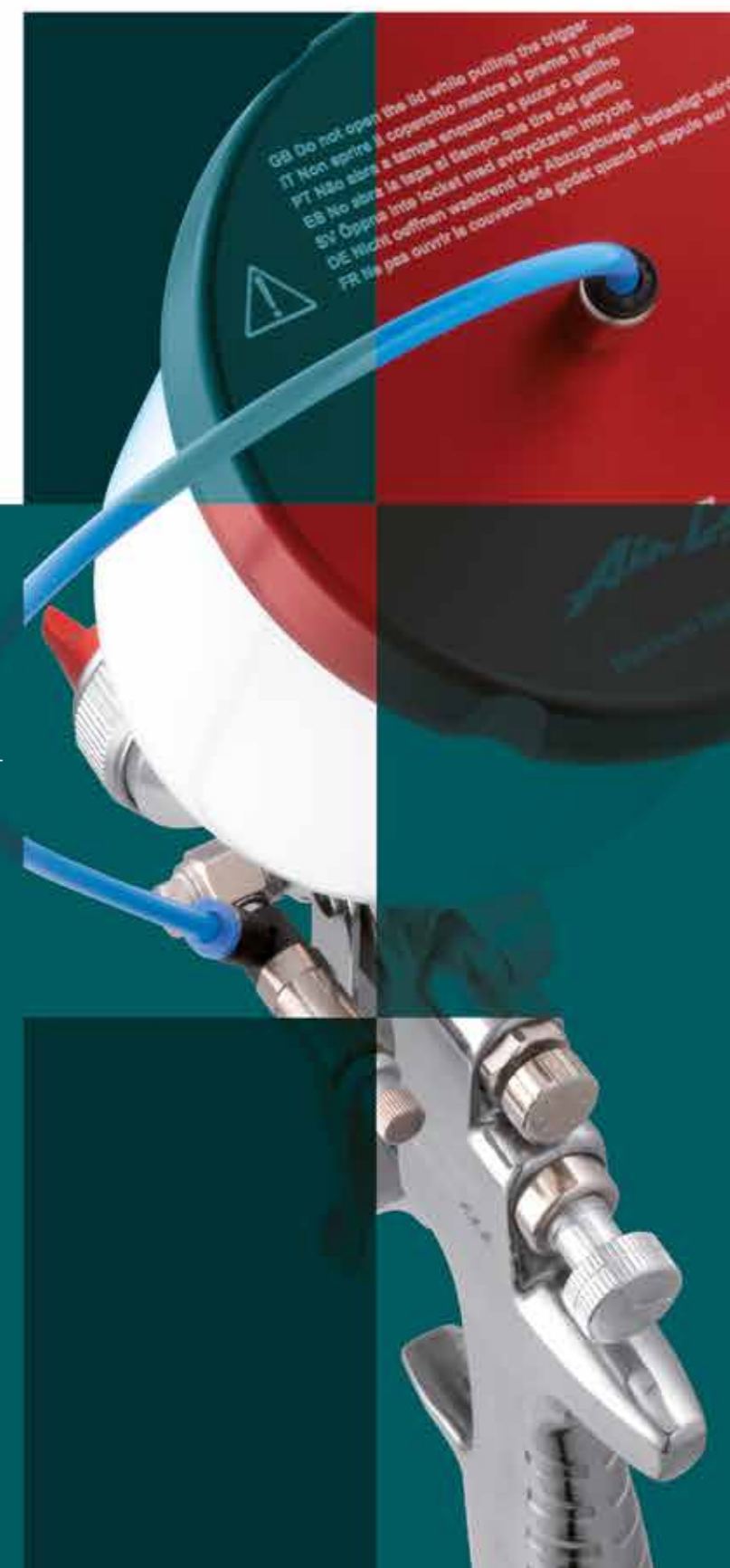
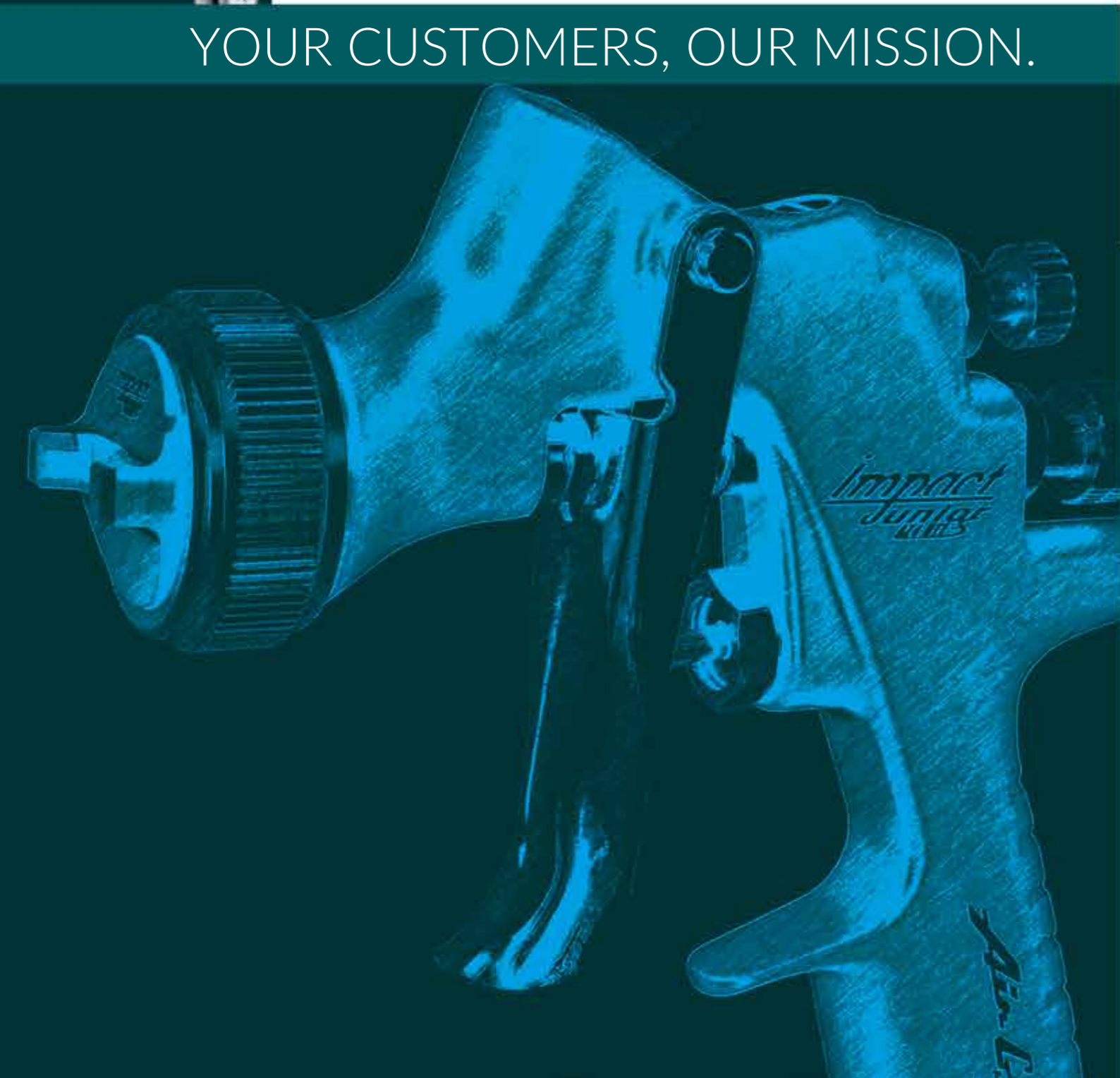
A WIDE RANGE

Our range of products varies from several spray guns lines, pumps and painting accessories, projected ad hoc for different paint application and to satisfy the customer in his research for the best solution.

CUSTOMER ORIENTED

The automotive refinish, together with the industrial and the wood sector are only few of the areas in which the Anest Iwata experience has found its appreciation between the users, not only for the excellence of our tools, but also for the attentive service our customers can count on. Anest Iwata effort in providing the best results in performance is also conceived for the optimization of the resources and materials in the optic of begin environmental-friendly.

Air Gun
ANEST IWATA Group



SPRAY GUNS & ACCESSORIES FOR AIRGUNSA



Whether it's a first installation, a self-repair or a small retouch (spot repair) Anest Iwata has always been the point of reference for professional painters. The experience in the development of varnishing guns for the automotive sector has strengthened its image over time.

INDEX

1. MANUAL SPRAY GUNS

GRAVITY SPRAY GUNS

AZ3 HTE-S IMPACT.....	8
AZ3 HTE2 AV.....	10
AZ3 HTE2 HVLP.....	12
AZ4 HTE-S IMPACT JUNIOR Black Air Cap....	14
AZ4 HTE-S IMPACT JUNIOR Gray Air Cap....	16

PRESSURE AND SUCTION SPRAY GUNS

AZ1 HTE 2P	18
AZ1 HTE 2S	20

GRAVITY SPRAY GUN WITH PRESSURIZED CUP

AZ3 HTE P.A.S. CONCEPT	22
------------------------------	----

2. GRAVITY CUPS & FILTERS

GRAVITY CUPS.....	26
-------------------	----

3. GENERAL ACCESSORIES

HEALTH PROTECTION

ANEST IWATA OVERALL.....	28
VISIONSHIELD SERIES GOGGLES & GLASSES.....	28
AIRFED 2020 FULL FACE MASK.....	29
VIPER HALF FACE GUARD MASK.....	29
MAG STAND MAGNETIC SUPPORTS & GUN HOLDER.....	30
IMPACT CONTROLLER 2.....	30







4. GARAGE EQUIPMENT

AZ PVA AZ PVA TN.....	32
P6 PL6 AE7	33
S8 SP8	34
ST ST 1 ST 1S.....	35

6. GENERAL INFORMATION

SALES CONDITIONS.....	36
-----------------------	----

ICONS LEGEND

-  NOZZLE SIZE
-  AIR CAP SET
-  AIR PRESSURE
-  FLUID OUTPUT
-  AIR CONSUMPTION
-  PATTERN WIDTH



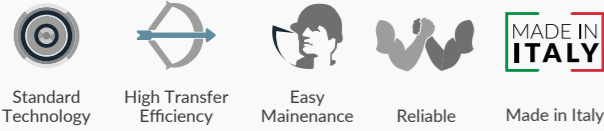
1

MANUAL SPRAY GUNS



AZ3 HTE-S IMPACT - STANDARD QUALITY

FEATURES



Standard Quality Spray Gun for Car Refinish Primer-coat applications. Equipped with the HTE air caps Technology, which leads to guarantee maximum performance with homogeneous and fine atomization.

TECHNICAL DATA

• Air Nipple: G1/4" • Fluid Nipple: G1/4"

model name	ø mm	cap	bar*	ml/min	NI/min	mm (in)**
AZ3 HTE-S IMPACT	1.2	HTE-S1	2.0	250	375	190
	1.3			275		210
	1.4			290		230
	1.6	HTE-S2		300	362	250
	1.8			335		270
	2.0			375		

*Suggested gun inlet pressure during spraying. **Fan width at a Spray distance of 150 mm.



ORDER INFORMATION

	ø 1,2	ø 1,3	ø 1,4	ø 1,6	ø 1,8	ø 2,0
AZ3 HTE-S IMPACT BLACK VERSION	W0SPG90AG12C	W0SPG90AG13C	W0SPG90AG14C	W0SPG90AG16C	W0SPG90AG18C	W0SPG90AG20C
AZ3 HTE-S IMPACT CHROME VERSION	W0SPG91AG12C	W0SPG91AG13C	W0SPG91AG14C	W0SPG91AG16C	W0SPG91AG18C	W0SPG91AG20C
AIR CAP SET (HTE-S1)	W2CAP90AG12			--		
AIR CAP SET (HTE-S2)	--			W2CAP90AG16		
FLUID NOZZLE & NEEDLE	W2ADU90AG12	W2ADU90AG13	W2ADU90AG14	W2ADU90AG16	W2ADU90AG18	W2ADU90AG20

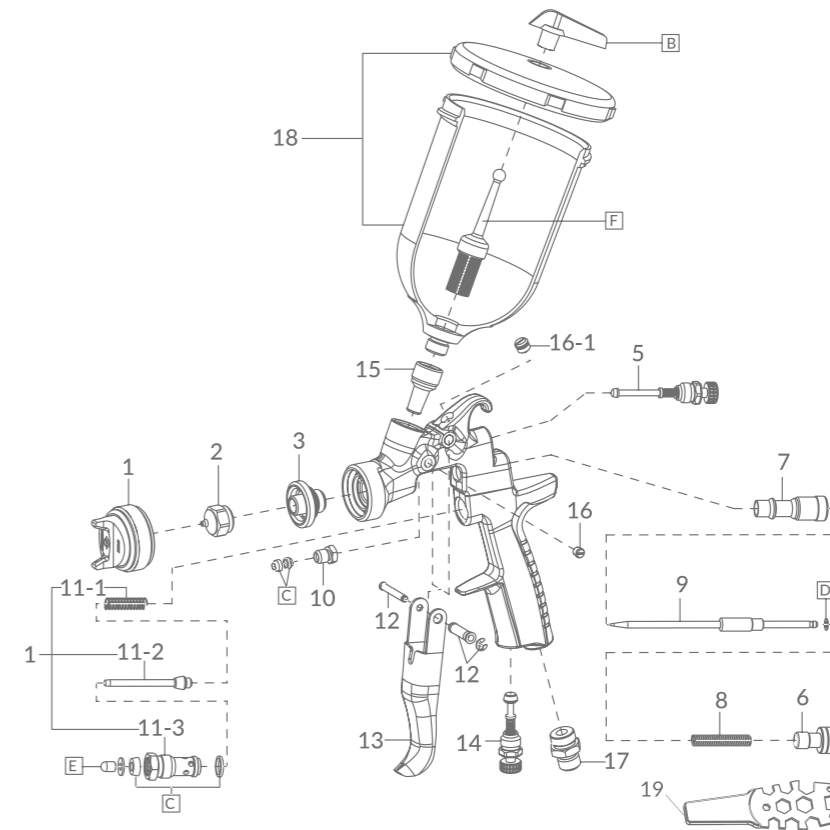
SET OPTIONS & CONTENTS

CARTON BOX



AZ3 HTE-S Impact Spray Gun
PCG-6P-2 AZ CUP - 600 ml
Universal Spanner

SPARE PARTS

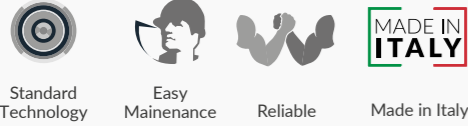


REF.	CODE	DESCRIPTION
1	see table on left page	AIR CAP SET
2+9	see table on left page	FLUID NOZZLE + FLUID NEEDLE SET
3	W3COM3050	NOZZLE HOLDER
5	93842601	PATTERN ADJ. SET
6	W2COM6077	FLUID NEEDLE ADJ. KNOB
7	W2010140900	FLUID NEEDLE GUIDE
8	W2010140800	FLUID NEEDLE SPRING
10	W2010140600	FLUID NEEDLE PACKING NUT
11	W2COM6080	AIR VALVE SET
11-1	W2010141700	AIR VALVE SPRING
11-2	W2010130600	AIR VALVE
11-3	W2010130500	AIR VALVE SEAT
12	W2COM4041	TRIGGER STUD
13	W2COM6051	TRIGGER
14	93845531	AIR ADJ. SET
15	W3COM5038	THREADED BUSHING
16	W2COM5004	SCREW
16-1	W2COM6050	PLUG
17	W2COM5039	AIR NIPPLE
C	W2KIT56	PACKING SET (3 pcs./1 pk.)

REF.	CODE	DESCRIPTION
D	W2KIT33	SLIDE RING SET (10 pcs./1 pk.)
E	W2KIT37	AIR VALVE SHAFT TIP SET (3 pcs./1 pk.)
18	W0CUPAZ90	PCG-6P-2-AZ GRAVITY CUP 600 ml
B	W2KIT07	NON DRIP SET (5 pcs./1 pk.)
F	W2KIT06	FILTER SET 50 MESH (297µ) (5 pcs./1 pk.)
19	930171A0	UNIVERSAL SPANNER

AZ3 HTE2 AV - STANDARD QUALITY

FEATURES



Standard Quality Spray Gun for Car Refinish Spray Putty applications. With High Volume & Low Pressure Technology, is ideal for spraying filler and other high viscosity coatings.



TECHNICAL DATA

• Air Nipple: G1/4" • Fluid Nipple: G1/4"

model name	ø mm	cap	bar*	ml/min	NI/min	mm (in)
AZ3 HTE2	1.0	10-15HTE	2.0	80	200	180
	1.3			140		240
	1.5			160		260
	1.8	18-20HTE		250		300
	2.0			300		340
	2.5			450		360
	2.8	28-30HTE	3.0	540	300	380
	3.0			560		400
	3.5			600		420

*Suggested gun inlet pressure during spraying.

SPECIAL WRENCH ACCESSORIES



ORDER INFORMATION

	ø 1,0	ø 1,3	ø 1,5	ø 1,8	ø 2,0
AZ3 HTE2 AV - 600 ml CUP	W0SPG80AG10C	W0SPG80AG13C	W0SPG80AG15C	W0SPG80AG18C	W0SPG80AG20C
AZ3 HTE2 AV - 600 ml CUP + AIR FLOW CONTROL VALVE	W0SPG81AG10C	W0SPG81AG13C	W0SPG81AG15C	W0SPG81AG18C	W0SPG81AG20C
AIR CAP SET	W2CAP80AG15		W2CAP80AG18		
FLUID NOZZLE & NEEDLE	W2010133500	W2010133600	W2010133700	W2010133800	W2010133900

ORDER INFORMATION

	ø 2,5	ø 2,8	ø 3,0	ø 3,5
AZ3 HTE2 AV - 600 ml CUP	W0SPG80AG25C	W0SPG80AG28C	W0SPG80AG30C	W0SPG80AG35C
AZ3 HTE2 AV - 600 ml CUP + AIR FLOW CONTROL VALVE	W0SPG81AG25C	W0SPG81AG28C	W0SPG81AG30C	W0SPG81AG35C
AIR CAP SET	W2CAP80AG25	W2CAP80AG30		W2CAP80AG35
FLUID NOZZLE & NEEDLE	W2010134000	W2010134300	W2010134100	W2010134200

SET OPTIONS & CONTENTS

CARTON BOX

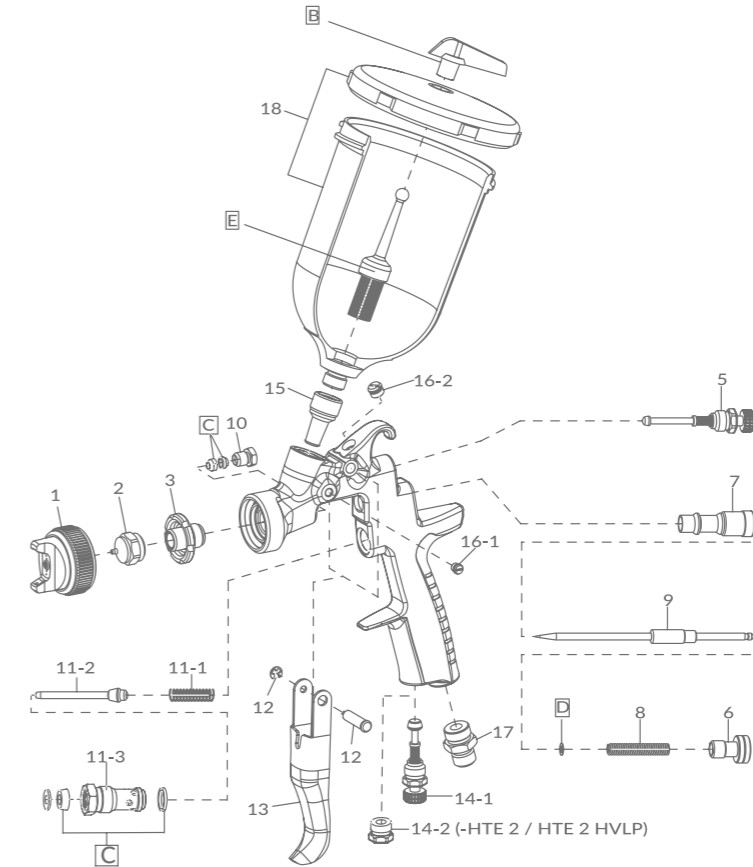


AZ3 HTE2 AV Spray Gun
PCG-6P-2B AZ CUP - 600 ml

SPARE PARTS



PCG-6B 2B-AZ
GRAVITY CUP
600 ml



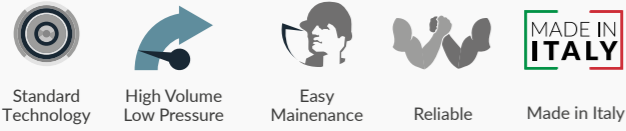
REF.	CODE	DESCRIPTION	REF.	CODE	DESCRIPTION
1	see table on left page	AIR CAP SET	C	W2KIT56	PACKING SET (3 pcs./1 pk.)
2+9	see table on left page	FLUID NOZZLE + NEEDLE SET	D	W2KIT33	SLIDE RING SET (10 pcs./1 pk.)
3	W2010140200	NOZZLE HOLDER	18	W0012820100	PCG-6P-2B-AZ GRAVITY CUP 600 ml
5	93842601	PATTERN ADJ. SET	B	W2KIT07	NON DRIP SET (5 pcs./1 pk.)
6	W2010141000	FLUID NEEDLE ADJ. KNOB	E	W2KIT06	FILTER SET 50 Mesh (297µ) (5 pcs./1 pk.)
7	W2010140900	FLUID NEEDLE GUIDE			
8	W2010140800	FLUID NEEDLE SPRING			
10	W2010140600	FLUID NEEDLE PACKING NUT			
11	W2010120100	AIR VALVE SET			
11-1	W2010141700	AIR VALVE SPRING			
11-2	W2010130600	AIR VALVE			
11-3	W2010130500	AIR VALVE SEAT			
12	W2COM4001	TRIGGER STUD			
13	W2COM6051	TRIGGER			
14-1	93845531	AIR ADJ. SET			
14-2	93625371	PLUG			
15	W2013040100	THREADED BUSHING			
16-1	W2COM5004	SCREW			
16-2	W2COM6050	PLUG			
17	W2COM5000	AIR NIPPLE			

OPTION AND ACCESSORIES

CODE	DESCRIPTION
VPACAZ3H2	BLACK PLASTIC CASE (for 1 SPRAY GUN and 1 CUP)
W2503500100	SPECIAL WRENCH

AZ3 HTE2 HVLP - STANDARD QUALITY

FEATURES



Standard Quality Spray Gun for Car Refinish Spray Putty applications. With High Volume & Low Pressure Technology, is ideal for spraying filler and other high viscosity coatings



SPECIAL WRENCH ACCESSORIES

TECHNICAL DATA

• Air Nipple: G1/4" • Fluid Nipple: G1/4"

model name	ø mm	cap	bar*	ml/min	NI/min	mm (in)
AZ3 HTE2 HVLP	1.3	HVLP	2.0	150	340	280
	1.5			185		290
	1.8			215		340
	2.0			240		360

*Suggested gun inlet pressure during spraying.

ORDER INFORMATION

	ø 1,3	ø 1,5	ø 1,8	ø 2,0
AZ3 HTE2 HVLP- 600 ml CUP	W0SPG85AG13C	W0SPG85AG15C	W0SPG85AG18C	W0SPG85AG20C
AIR CAP SET (HVLP)	W2CAP84AG			
FLUID NOZZLE & NEEDLE	W2013031000	W2013031100	W2013031200	W2013031300

SET OPTIONS & CONTENTS

CARTON BOX

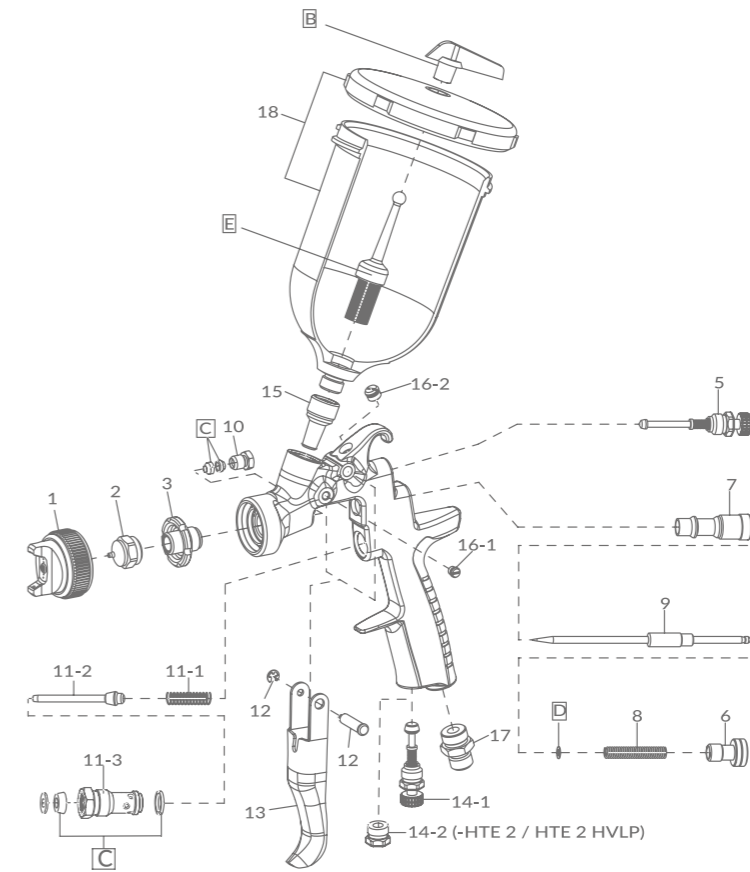


AZ3 HTE2 HVLP Spray Gun
PCG-6P-2B AZ CUP - 600 ml

SPARE PARTS



PCG-6B 2B-AZ
GRAVITY CUP
600 ml



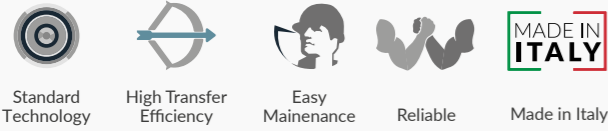
REF.	CODE	DESCRIPTION	REF.	CODE	DESCRIPTION
1	see table on left page	AIR CAP SET	C	W2KIT56	PACKING SET (3 pcs./1 pk.)
2+9	see table on left page	FLUID NOZZLE + NEEDLE SET	D	W2KIT33	SLIDE RING SET (10 pcs./1 pk.)
3	W2010140200	NOZZLE HOLDER	18	W0012820100	PCG-6P-2B-AZ GRAVITY CUP 600 ml
5	93842601	PATTERN ADJ. SET	B	W2KIT07	NON DRIP SET (5 pcs./1 pk.)
6	W2010141000	FLUID NEEDLE ADJ. KNOB	E	W2KIT06	FILTER SET 50 Mesh (297µ) (5 pcs./1 pk.)
7	W2010140900	FLUID NEEDLE GUIDE			
8	W2010140800	FLUID NEEDLE SPRING			
10	W2010140600	FLUID NEEDLE PACKING NUT			
11	W2010120100	AIR VALVE SET			
11-1	W2010141700	AIR VALVE SPRING			
11-2	W2010130600	AIR VALVE			
11-3	W2010130500	AIR VALVE SEAT			
12	W2COM4001	TRIGGER STUD			
13	W2COM6051	TRIGGER			
14-1	93845531	AIR ADJ. SET			
14-2	93625371	PLUG			
15	W2013040100	THREADED BUSHING			
16-1	W2COM5004	SCREW			
16-2	W2COM6050	PLUG			
17	W2COM5000	AIR NIPPLE			

OPTION AND ACCESSORIES

CODE	DESCRIPTION
VPACAZ3H2	BLACK PLASTIC CASE (for 1 SPRAY GUN and 1 CUP)
W2503500100	SPECIAL WRENCH

AZ4 HTE-S IMPACT JUNIOR - STANDARD QUALITY

FEATURES



Standard Quality Spray Gun, ideal for both water and solvent base paints. This version with Black air cap has been specially designed for Car Refinish application to achieve small and medium repairs on a vehicle body. High Transfer Efficiency and Fine Atomization.

TECHNICAL DATA

• Air Nipple: G1/4" • Fluid Nipple: G1/4"

model name	ø mm	cap	bar*	ml/min	NI/min	mm (in)
AZ4 HTE-S	0.8	AZ4-1	1.0	50	105	120
	1.0			65		150
	1.2			80		160
	1.3	AZ4-2		2.5		140

*Suggested gun inlet pressure during spraying.



ORDER INFORMATION

	ø 0,8	ø 1,0	ø 1,2	ø 1,3
AZ4 HTE-S with 200 ml CUP	13000710	13000720	13000730	13000740
AZ4 HTE-S with 70 ml CUP	13001130	13001140	13001150	-
AIR CAP SET		AZ4-1 93003740		AZ4-2 93003750
FLUID NOZZLE & NEEDLE	93004580	93004590	93004600	93004610

SET OPTIONS & CONTENTS

CARTON BOX - A



AZ4 HTE-S Spray Gun
PCG-2P-2 CUP - 200 ml

CARTON BOX - B

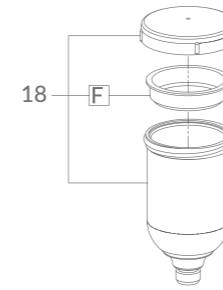


AZ4 HTE-S Spray Gun
PCG-1P-2 - 70 ml

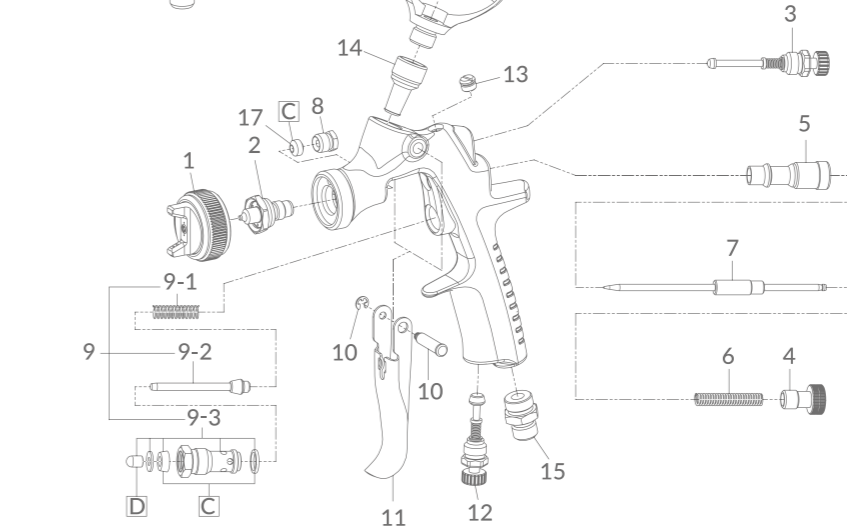
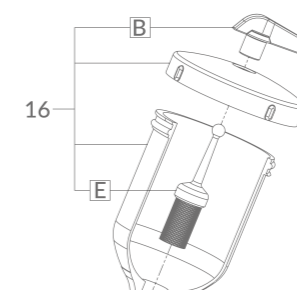
SPARE PARTS



PCG-1P-2
GRAVITY CUP
70 ml



PCG-2P-2
GRAVITY CUP
200 ml

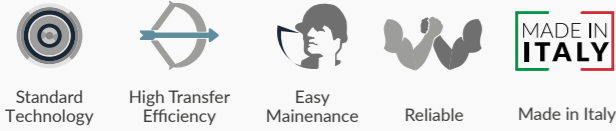


REF.	CODE	DESCRIPTION	QTY.
1	see table on left page	AIR CAP SET	
2+7	see table on left page	FLUID NOZZLE + NEEDLE SET	
3	93842601	PATTERN ADJUSTMENT SET	
4	W2010141000	FLUID NEEDLE ADJ. KNOB	
5	W2010140900	FLUID NEEDLE GUIDE	
6	W2010140800	FLUID NEEDLE SPRING	
8	W2COM3011	NEEDLE PACKING NUT	
9	W2COM6080	AIR VALVE SET	
9-1	W2010141700	AIR VALVE SPRING	
9-2	W2010130600	AIR VALVE	
9-3	W2010130500	AIR VALVE SEAT	
10	W2COM4001	TRIGGER STUD	
11	93003810	TRIGGER	
12	93845531	AIR ADJUSTMENT SET	
13	W2COM6050	PLUG	
14	W3COM5038	THREADED BUSHING	
15	W2COM5000	AIR NIPPLE	
17	W2COM2006	NEEDLE PACKING	
C	93005550	PACKING SET	(3 pcs./1 pk.)
D	W2KIT37	AIR VALVE SHAFT TIP SET	(5 pcs./1 pk.)

REF.	CODE	DESCRIPTION
16	WOCUPAZ40IN	PCG-2P-2 GRAVITY CUP 200 ml
B	W2KIT07	NON DRIP SET (5 pcs./1 pk.)
E	W2KIT06	FILTER SET 50 Mesh (297µ) (5 pcs./1 pk.)
18	13001200	PCG - 1P - 2 GRAVITY CUP 70 ml
F	W2KIT52	NON DRIP SET (3 pcs./1 pk.)

AZ4 HTE-S IMPACT JUNIOR - STANDARD QUALITY

FEATURES



Standard Quality Spray Gun, ideal for both water and solvent base paints. This version with Anodized Gray air cap has been Specially designed for General Industry applications. High Transfer Efficiency and Fine Atomization.

TECHNICAL DATA

• Air Nipple: G1/4" • Fluid Nipple: G1/4"

model name	ø mm	cap	bar*	ml/min	NI/min	mm (in)
AZ4 HTE-S	1.5	AZ4-2	2.5	195	240	165
	1.8			275	245	185

*Suggested gun inlet pressure during spraying.



WITH ANODIZED GRAY AIR CAP

600 ml GRAVITY CUP

200 ml GRAVITY CUP

ORDER INFORMATION

	ø 1,5	ø 1,8
AZ4 HTE-S with 600 ml CUP	13001160	13001170
AZ4 HTE-S with 200 ml CUP	13000750	13000980
AIR CAP SET (AZ4-2)	93003750	
FLUID NOZZLE & NEEDLE	93004620	93005650

SET OPTIONS & CONTENTS

CARTON BOX - A



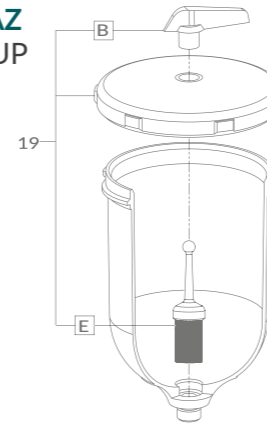
CARTON BOX - B



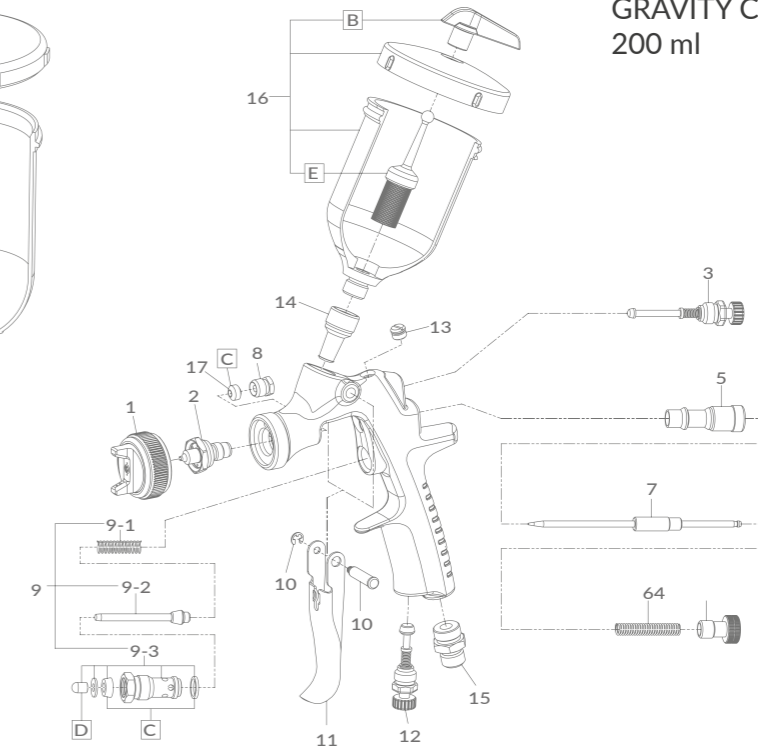
SPARE PARTS



PCG-6P-2-AZ
GRAVITY CUP
600 ml



PCG-2P-2
GRAVITY CUP
200 ml



REF.	CODE	DESCRIPTION	QTY.
1	see table on left page	AIR CAP SET	
2+7	see table on left page	FLUID NOZZLE + NEEDLE SET	
3	93842601	PATTERN ADJUSTMENT SET	
4	W2010141000	FLUID NEEDLE ADJ. KNOB	
5	W2010140900	FLUID NEEDLE GUIDE	
6	W2010140800	FLUID NEEDLE SPRING	
8	W2COM3011	NEEDLE PACKING NUT	
9	W2COM6080	AIR VALVE SET	
9-1	W2010141700	AIR VALVE SPRING	
9-2	W2010130600	AIR VALVE	
9-3	W2010130500	AIR VALVE SEAT	
10	W2COM4001	TRIGGER STUD	
11	93003810	TRIGGER	
12	93845531	AIR ADJUSTMENT SET	
13	W2COM6050	PLUG	
14	W3COM5038	THREADED BUSHING	
15	W2COM5000	AIR NIPPLE	
17	W2COM2006	NEEDLE PACKING	
C	93005550	PACKING SET	(3 pcs./1 pk.)
D	W2KIT37	AIR VALVE SHAFT TIP SET	(5 pcs./1 pk.)

REF.	CODE	DESCRIPTION
16	WOCUPAZ40IN	PCG-2P-2 GRAVITY CUP 200 ml
B	W2KIT07	NON DRIP SET (5 pcs./1 pk.)
E	W2KIT06	FILTER SET 50 Mesh (297µ) (5 pcs./1 pk.)
19	WOCUPAZ90	PCG-6P-2-AZ GRAVITY CUP 600 ml
B	W2KIT07	NON DRIP SET (5 pcs./1 pk.)
E	W2KIT06	FILTER SET 50 Mesh (297µ) (5 pcs./1 pk.)

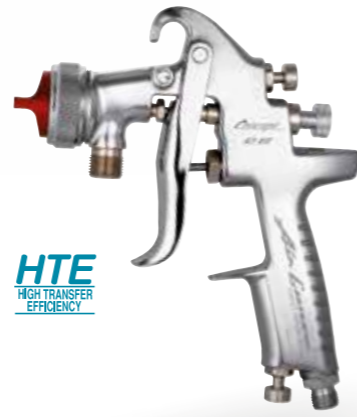
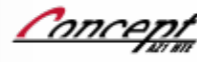
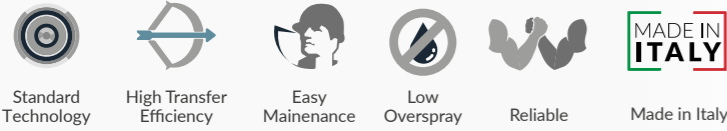


AZ1 HTE 2P - PRESSURE SPRAY GUN

SPARE PARTS



FEATURES



Pressure spray gun with new designed air caps from Air Guns, develop a long and tulip shaped spray pattern with an extra fine particle distribution and very little overspray. Flat and long spray pattern, even spraying heavy materials. Ideal for commercial vehicle refinishing and Industrial applications.

TECHNICAL DATA

• Air Nipple: G1/4" • Fluid Nipple: G3/8"

model name	Ø mm	cap	bar*	ml/min	NI/min	mm (in)
AZ1 HTE 2P PRESSURE SHORT PATTERN	1.0	HTE-PO	2.5	200	184	220
	1.3					230
	1.5 - 1.8 - 2.0	HTE-P4				240
	2.5 - 3.0 - 3.5					333
AZ1 HTE 2P PRESSURE LONG PATTERN	1.0	HTE-P2	2.5	400	416	390
	1.3					400
	1.5 - 1.8 - 2.0	HTE-P3				410
	2.5 - 3.0 - 3.5					330

*Suggested gun inlet pressure during spraying.

ORDER INFORMATION

	Ø 1,0	Ø 1,3	Ø 1,5	Ø 1,8
AZ1 HTE 2P- Short Pattern	W0SPG72AG10C	W0SPG72AG13C	W0SPG72AG15C	W0SPG72AG18C
AZ1 HTE 2P- Long Pattern	W0SPG73AG10C	W0SPG73AG13C	W0SPG73AG15C	W0SPG73AG18C

AIR CAP SET - Short Pattern	W2CAP70AG13			
AIR CAP SET - Long Pattern	W2CAP73AG13			
FLUID NOZZLE & NEEDLE	W2ADU72AG10	W2ADU72AG13	W2ADU72AG15	W2ADU72AG18

ORDER INFORMATION

	Ø 2,0	Ø 2,5	Ø 3,0	Ø 3,5
AZ1 HTE 2P- Short Pattern	W0SPG72AG20C	W0SPG72AG25C	W0SPG72AG30C	W0SPG72AG35C
AZ1 HTE 2P- Long Pattern	W0SPG73AG20C	W0SPG73AG25C	W0SPG73AG30C	W0SPG73AG35C

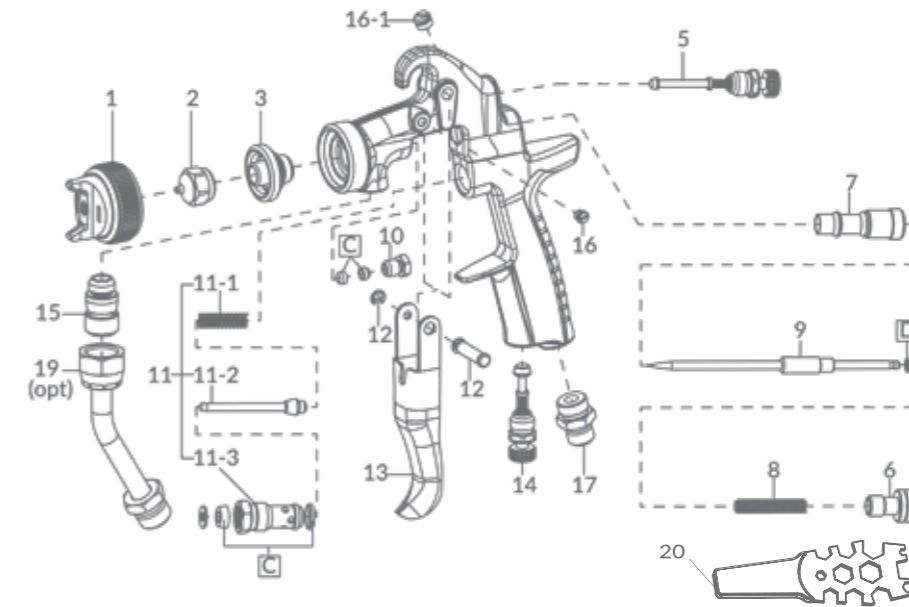
AIR CAP SET - Short Pattern	W2CAP70AG13	W2CAP72AG25		
AIR CAP SET - Long Pattern	W2CAP73AG13	W2CAP70AG25		
FLUID NOZZLE & NEEDLE	W2ADU72AG20	W2ADU72AG25	W2ADU72AG30	W2ADU72AG35

SET OPTIONS & CONTENTS

CARTON BOX



AZ1 HTE 2P Spray Gun
Universal Spanner



REF.	CODE	DESCRIPTION	QTY.
1	see table on left page	AIR CAP SET	
2+9	see table on left page	FLUID NOZZLE + NEEDLE SET	
3	W3COM3052	NOZZLE HOLDER	
5	93842601	PATTERN ADJUSTMENT SET	
6	W2010141000	FLUID NEEDLE ADJ. KNOB	
7	W2010140900	NEEDLE ADJ. GUIDE	
8	W2010140800	NEEDLE SPRING	
10	W2010140600	NEEDLE PACKING NUT	
11	W2010120100	AIR VALVE SET	
11-1	W2010141700	AIR VALVE SPRING	
11-2	W2010130600	AIR VALVE	
11-3	W2010130500	AIR VALVE SEAT	
12	W2COM4001	TRIGGER STUD	
13	W2COM6051	TRIGGER	
14	93845531	AIR ADJUSTMENT SET	
15	W2COM5048	FLUID NIPPLE G3/8"	
16	W2COM5004	SCREW	
16-1	W2COM6050	PLUG	
17	W2COM5000	AIR NIPPLE G1/4"	
19	W2COM5052	PAINT TUBE (OPTION)	

REF.	CODE	DESCRIPTION	QTY.
20	930171A0	UNIVERSAL SPANNER	
C	W2KIT56	PACKING SET	(3 pcs./1pk)
D	W2KIT33	SLIDE RING KIT	(10 pcs./1pk)

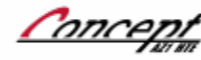
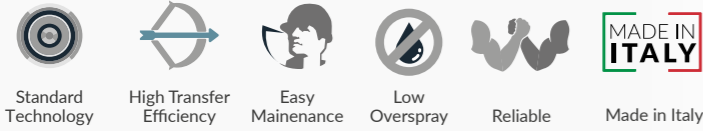


AZ1 HTE 2S - SUCTION SPRAY GUN

SPARE PARTS



FEATURES



Suction spray gun with new designed air caps from Air Gunsa, develop a long and tulip shaped spray pattern with an extra fine particle distribution and very little overspray. Flat and long spray pattern, even spraying heavy materials. Ideal for commercial vehicle refinishing and Industrial applications.

TECHNICAL DATA

• Air Nipple: G1/4" • Fluid Nipple: G3/8"

model name	ø mm	cap	bar*	ml/min	Nl/min	mm (in)
AZ1 HTE 2S SUCTION	1.0	HTE-P0	2.5	66	184	170
	1.3			80		190
	1.5			113		200
	1.8			154		220
	2.0	HTE-P3		169	230	
	2.5			167	250	
	3.0			205	290	
	3.5			217	300	

*Suggested gun inlet pressure during spraying.

ORDER INFORMATION

	ø 1,0	ø 1,3	ø 1,5	ø 1,8
AZ1 HTE 2S with 1lt. CUP	W0SPG70AG10C	W0SPG70AG13C	W0SPG70AG15C	W0SPG70AG18C

AIR CAP SET	W2CAP70AG13			
FLUID NOZZLE & NEEDLE	W2ADU83AG10	W2ADU83AG13	W2ADU83AG15	W2ADU83AG18

ORDER INFORMATION

	ø 2,0	ø 2,5	ø 3,0	ø 3,5
AZ1 HTE 2S with 1lt. CUP	W0SPG70AG20C	W0SPG70AG25C	W0SPG70AG30C	W0SPG70AG35C

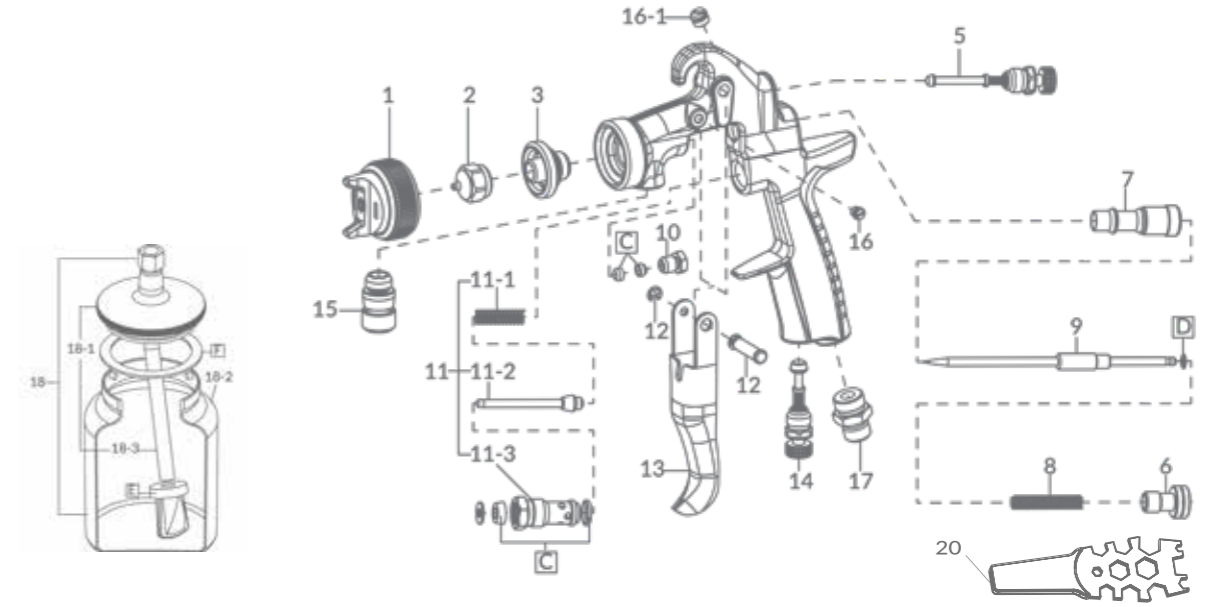
AIR CAP SET	W2CAP70AG13	W2CAP70AG25		
FLUID NOZZLE & NEEDLE	W2ADU83AG20	W2ADU83AG25	W2ADU83AG30	W2ADU83AG35

SET OPTIONS & CONTENTS

CARTON BOX



AZ1 HTE 2S Spray Gun
AG-1 Suction Container 1lt.
Universal Spanner



REF.	CODE	DESCRIPTION	QTY.
1	see table on left page	AIR CAP SET	
2+9	see table on left page	FLUID NOZZLE + NEEDLE SET	
3	W3COM3052	NOZZLE HOLDER	
5	93842601	PATTERN ADJUSTMENT SET	
6	W2010141000	FLUID NEEDLE ADJ. KNOB	
7	W2010140900	NEEDLE ADJ. GUIDE	
8	W2010140800	NEEDLE SPRING	
10	W2010140600	NEEDLE PACKING NUT	
11	W2010120100	AIR VALVE SET	
11-1	W2010141700	AIR VALVE SPRING	
11-2	W2010130600	AIR VALVE	
11-3	W2010130500	AIR VALVE SEAT	
12	W2COM4001	TRIGGER STUD	
13	W2COM6051	TRIGGER	
14	93845531	AIR ADJUSTMENT SET	
15	W2COM5048	FLUID NIPPLE G3/8"	
16	W2COM5004	SCREW	
16-1	W2COM6050	PLUG	
17	W2COM5000	AIR NIPPLE G1/4"	
C	W2KIT56	PACKING SET	(3 pcs./1pk)
D	W2KIT33	SLIDE RING KIT	(10 pcs./1pk)

REF.	CODE	DESCRIPTION	QTY.
18	04006100	AG-1 CONTAINER SET	1 lt.
18-1	04006110	LID SET	
18-2	04006130	SUCTION CONTAINER 1 lt.	
18-3	04010000	SUCTION TUBE	
E	W2KIT43	FILTER SET	(5 pcs./1pk)
F	W2KIT42	LID PACKING SET	(2 pcs./1pk)
20	930171A0	UNIVERSAL SPANNER	

AZ3 HTE P.A.S. CONCEPT - STANDARD QUALITY



Standard Quality Spray Gun for Car Refinish Spray Putty coatings. Pressure Assisted System (P.A.S.) with special pressurized cup for the atomization of high viscosity materials such as thixotropic WB paints. High atomization performance. Mini pressure regulator for high precision cup pressurization.

TECHNICAL DATA

• Air Nipple: G1/4" • Fluid Nipple: G1/4"

model name	ø mm	cap	bar*	ml/min	NI/min	mm (in)
AZ3 HTE P.A.S. CONCEPT	1.3	HTE-P1 CONCEPT	2.5	190	286	270
	1.5			260		320
	1.8			396		380
	2.0			410		400

*Suggested gun inlet pressure during spraying.

ORDER INFORMATION

	ø 1,3	ø 1,5	ø 1,8	ø 2,0
AZ3 HTE P.A.S. with 600 ml cup	W0SPG88AG13C	W0SPG88AG15C	W0SPG88AG18C	W0SPG88AG20C
AIR CAP SET (HTE-P1 CONCEPT)	W2CAP83AG13			
FLUID NOZZLE & NEEDLE	W2ADU83AG13	W2ADU83AG15	W2ADU83AG18	W2ADU83AG20

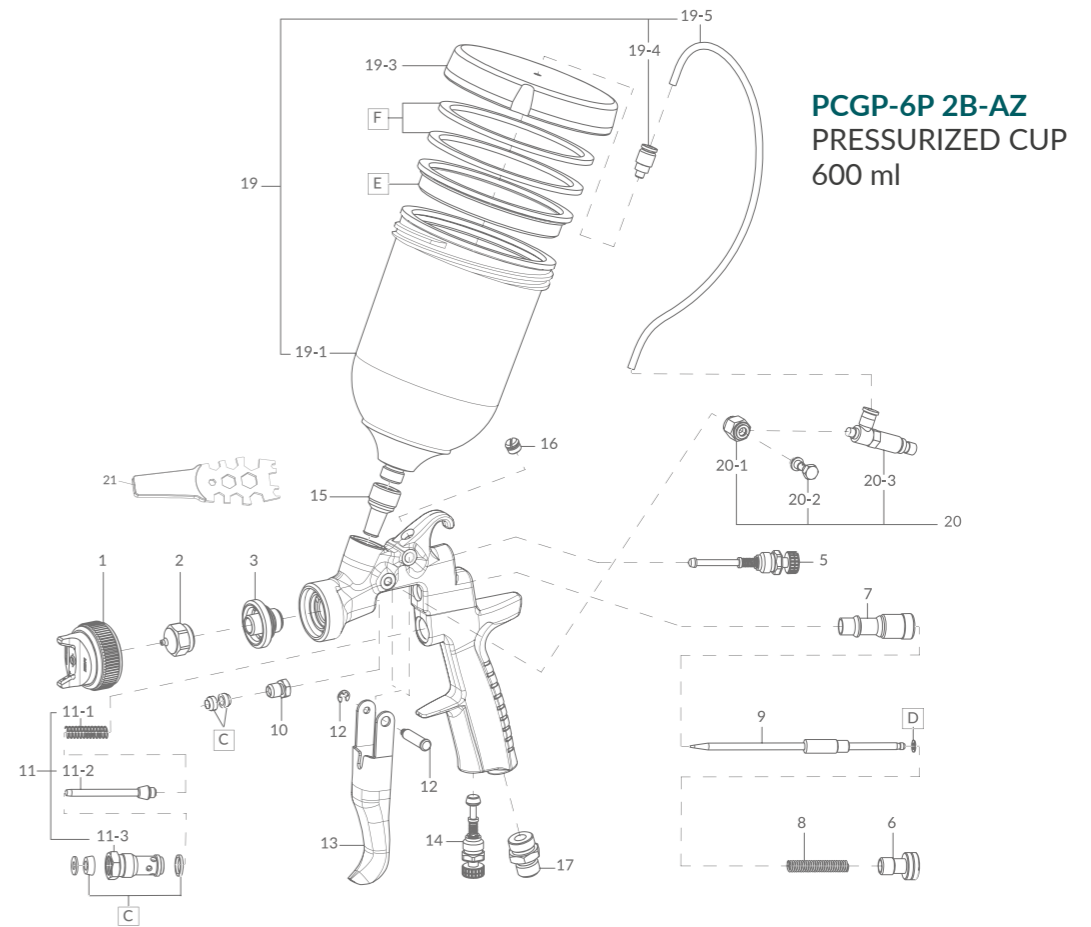
Concept
FOR THE P.A.S.



HTE P1
FOR TRANSFER EFFICIENCY

METAL LID
STURDY & RESISTANT
for HEAVY DUTY USE

SPARE PARTS



PCGP-6P 2B-AZ
PRESSURIZED CUP
600 ml

REF.	CODE	DESCRIPTION	REF.	CODE	DESCRIPTION
1	see table on left page	AIR CAP SET	19	W0CUPAZ85	PCGP-6P-2B-AZ PRESSURIZED CUP 600 ml
2+9	see table on left page	NOZZLE + NEEDLE SET	19-1	W3COM1037	PRESSURE CUP
3	W3COM3050	NOZZLE HOLDER	19-3	W3COM1031	LID
5	93842601	PATTERN ADJ. SET	19-4	W3COM5041	STRAIGHT MALE ADAPTOR
6	W2010141000	FLUID NEEDLE ADJ. KNOB	19-5	0010002700	AIR HOSE
7	W2010140900	FLUID NEEDLE GUIDE	E	W2KIT38	NON DRIP SET (3 pcs.)
8	W2010140800	FLUID NEEDLE SPRING	F	W2KIT39	LID PACKING SET (4 pcs.)
10	W2010140600	FLUID NEEDLE PACKING NUT	20	W2SUB6066	PRESSURE REGULATOR SET
11	W2010120100	AIR VALVE SET	20-1	W3COM4030	ORIENTING RING
11-1	W2010141700	AIR VALVE SPRING	20-2	W3COM4033	BANJO STEM SINGLE
11-2	W2010130600	AIR VALVE	20-3	W3COM5032	PRESSURE REGULATOR
11-3	W2010130500	AIR VALVE SEAT	21	930171A0	UNIVERSAL SPANNER
12	W2COM4001	TRIGGER STUD			
13	W2COM6051	TRIGGER			
14	93845531	AIR ADJ. SET			
15	W3COM5038	THREADED BUSHING			
16	W2COM6050	PLUG			
17	W2COM5000	AIR NIPPLE			
C	W2KIT56	PACKING SET (3 pcs./1 pk.)			
D	W2KIT33	SLIDE RING SET (10 pcs./1 pk.)			

SET OPTIONS & CONTENTS

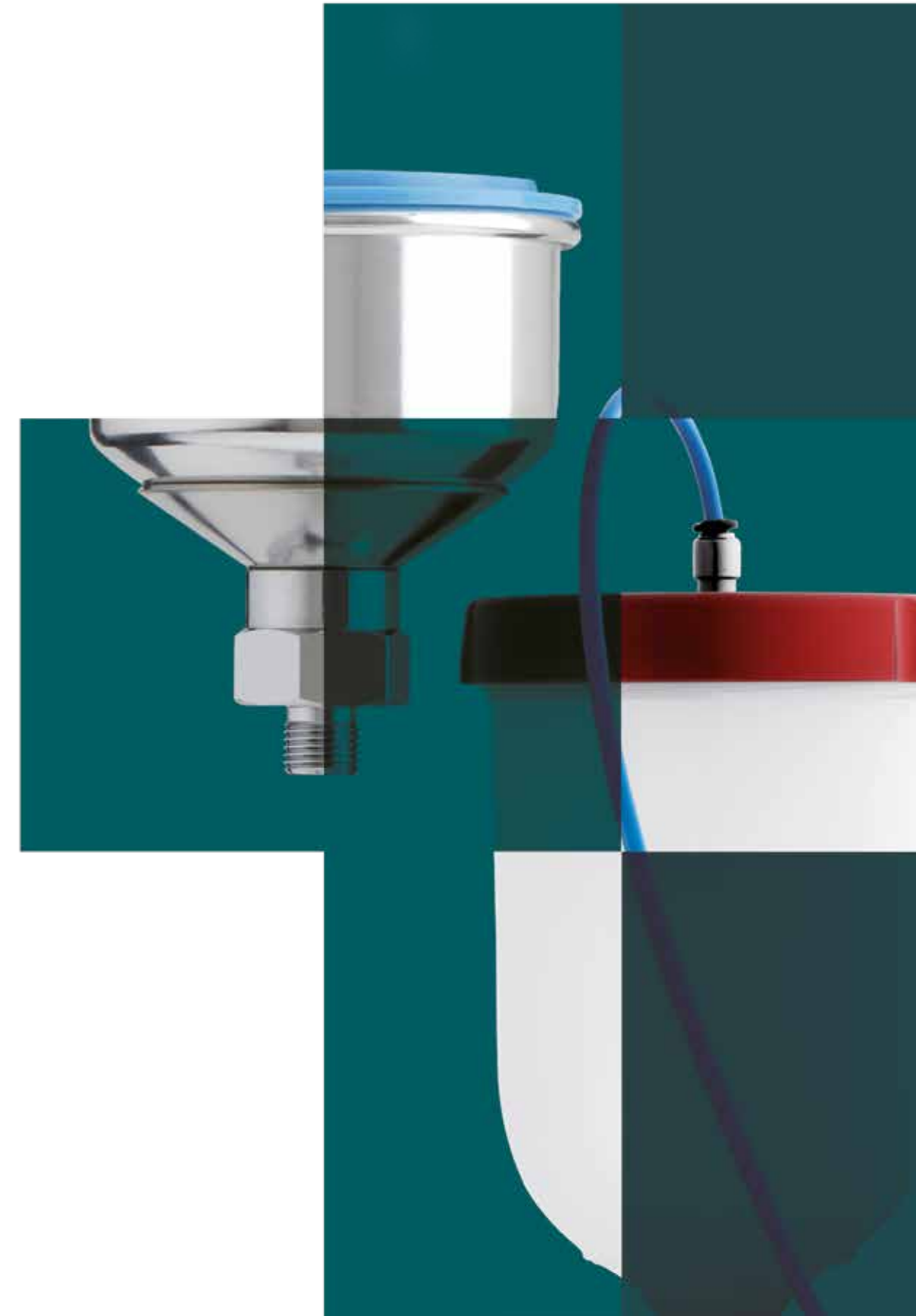
CARTON BOX



AZ3 HTE P.A.S. Concept Spray Gun
PCGP-6P-2P-AZ PRESSURIZED CUP 600 ml
Universal Spanner

2

GRAVITY CUPS & FILTERS and



GRAVITY CUPS

Central 600 ml **ORDER INFORMATION**

MODEL	CODE	CONNECTION	Available for
PCG-6P-2-AZ	W0CUPAZ90	G1/4" (PF1/4")	AZ3 HTE 2 - AZ3 HTE-S Impact AZ4 HTE S Junior
PCG-6P-2B-AZ	W0012820100	G1/4" (PF1/4")	AZ3 HTE 2 AV - AZ3 HTE 2 HVLP
PCGP-6P-2B-AZ	W0CUPAZ85	G1/4" (PF1/4")	AZ3 HTE P.A.S. Concept



Central "UV BLACK CUP" 600 ml

MODEL	CODE	CONNECTION	Available for
UV BLACK CUP	W0CUPAZ91	G1/4" (PF1/4")	AZ3 HTE-S Impact



Central 200 ml **ORDER INFORMATION**

MODEL	CODE	CONNECTION	Available for
PCG-2P-2	W0CUPAZ40IN	G1/4" (PF1/4")	AZ4 HTE S Junior



Central 70 ml **ORDER INFORMATION**

MODEL	CODE	CONNECTION	Available for
PCG-1P-2	13001200	G1/4" (PF1/4")	AZ4 HTE S Junior



Paint FILTER for Gravity Cups **ORDER INFORMATION**

MODEL	CODE	Size	Available for
PAINT FILTER SET (5 pcs.)	W2KIT06	60 MESH (250µ)	AZ3 HTE 2 (600 ml) AZ3 HTE S IMPACT (600 ml)



Suction CONTAINER 1 lt. **ORDER INFORMATION**

MODEL	CODE	CONNECTION	Available for	€
AG-1	04006100	G3/8" (PF3/8")	AZ1 HTE 2S	43,10



GENERAL
ACCESSORIES

HEALTH
PROTECTION



HEALTH
PROTECTION



ANEST IWATA OVERALL - PREMIUM QUALITY

Premium Overall provides high protection against overspray and prevents pollution of the painting job by fibers, dust and lint. Designed for full comfort with antistatic fiber.

PERSONAL PROTECTIVE EQUIPMENT (PPE)

Category I according to the European Directive 2016/425
Basic PPE protects against minimal risks.

OVERALL'S SIZE CHART

SIZE	S	M	L	XL
EU	46	48	50	52-54
HIGH	170-174 cm	174-178 cm	178-182 cm	182-190 cm
CHEST	86-94 cm	94-102 cm	102-110 cm	110-118 cm
WAIST	70-78 cm	78-86 cm	86-94 cm	94-102 cm

ORDER INFORMATION

CODE	DESCRIPTION	SIZE
150006A0	PREMIUM OVERALL	S
150007A0	PREMIUM OVERALL	M
150008A0	PREMIUM OVERALL	L
150009A0	PREMIUM OVERALL	XL



VISIONSHIELD PROTECTIVE GOOGLES

Polycarbonate lenses for medium energy hi-speed particles
The frame offers protection against large dust particles and liquid droplets.

ORDER INFORMATION

CODE	DESCRIPTION
AGN020-441-3P0	VISIONSHIELD GOOGLES

CONFORMS TO
EN166:2001



VISIONSHIELD PROTECTIVE GLASSES

Designed with soft rubber frame, with Polycarbonate lenses and adjustable non-slip nose pad.

ORDER INFORMATION

CODE	DESCRIPTION
ASA770-15K-4P0	VISIONSHIELD GLASSES

CONFORMS TO
EN166:2001



AIR FED 2020 FULL FACE MASK



Compressed air-supplied respirator full face mask provides protection against airborne dusts, mists, gases and vapours. This system offers respiratory protection to class LDH 3 and hence offers a protection factor of up to 200 i.e.

EQUIPPED WITH:

Browguard and vizor - Cover for vizor - Waistbelt
Pre-set air regulator - Carbon filter - Gun hose fittings 1,25 m

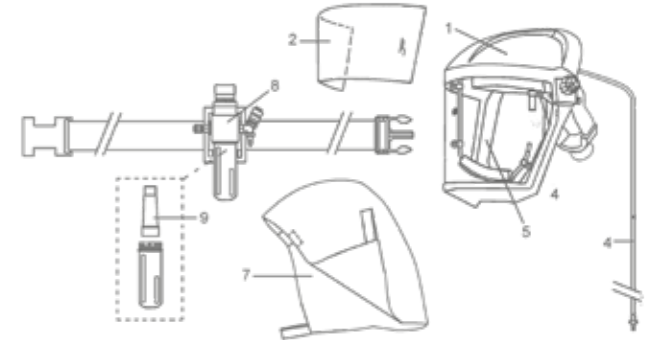


HOSE/AIRLINE BREATHING APPARATUS CONFORMS TO EN166:2001

VISOR CONFORMS TO EN166:2001

ORDER INFORMATION

CODE	DESCRIPTION	REF.	QTY.
VIUAF2020KIT	2020 AIR FED MASK		
VIUAF2020HEAD	2020 HEADPIECE ONLY	1	
VIUAF2020/K10-SV	VISOR PEEL OFF COVERS	2	(10 pcs)
VIUAF2020/K50-SV	VISOR PEEL OFF COVERS	2	(50 pcs)
VIUAF2020CHIN	CHIN GUARD AND FACESCREEN	4	
VIUAF2020DIFF	DIFFUSER TUBE	5	
VIUAF2101K5	HYGIENE KIT	6	(5 pcs)
VIUAF2103K5	NAPE COVERS	7	(5 pcs)
VIUAF2207	BELT REGULATOR	8	
VIUAFG-N-AF-MC	5 µ CARBON FILTER	9	
VIUAF2003	BELT ONLY		
VIUAF2400	BRACKET ONLY		
I-UK-AH008-FT26	STUB HOSE		
VIUAF2010HRNS	ADJ HARNESS		



VIPER HALF FACE GUARD MASK

HALF MASK with INTERCHANGEABLE COMBINED FILTERS

Half mask respirators with two different types of filtration designed for the protection against dust, gases and vapors. Built-in inhalation valves in the filter. Low inhalation resistance



A2 P3R FILTER FOR HIGH PROTECTION

Medium Capacity Organic Gas / Vapors Filter (Hydrocarbons & Solvents)
CONFORM TO: EN143:2000 + A1:2006

High Efficiency Particles Filters
CONFORM TO: EN14387:2004



AB1 P2R FILTER FOR STANDARD PROTECTION

Low Capacity Organic Gas / Vapors Filter (Hydrocarbons & Solvents)
CONFORM TO: EN143:2000 + A1:2006

Medium Efficiency Particles Filters
CONFORM TO: EN14387:2004



ORDER INFORMATION

CODE	DESCRIPTION	QTY.
150001A0	VIPER GUARD MASK (A2P3R Half Face Mask)	
150002A0	VIPER GUARD MASK (AB1P2R Half Face Mask)	
VIUGVGM123	A2P3R FILTER SET	(2 pcs)
VIUGVGM510	AB1P2R FILTER SET	(2 pcs)
VIUGVGM002KIT	P2R PRE-FILTER SET	(4 pre-filters/2 holders)



4

MAGNETIC SUPPORTS & GUN HOLDERS

MAGNETIC STAND - Magnetic Support

FEATURES

- Practical for every body shop fast, flexible and reliable adhesion on all metal surfaces thanks to an extra-strong all-surface magnet.
- Hold up to 20 kg (each holder, measured on a clean metal surface).
- Significant space savings in working area.
- Easy removal from spray both.



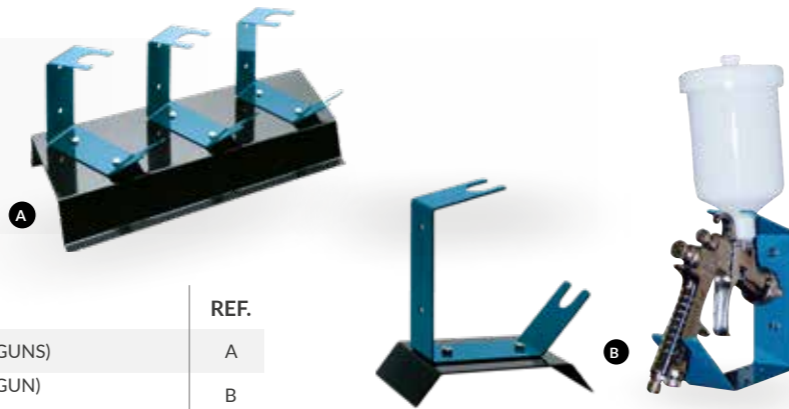
ORDER INFORMATION

CODE	DESCRIPTION	REF.
W2COM6052	MAGNETIC SPRAY GUN HOLDER (for 3 Spray Guns)	1
W2COM6120	MAGNETIC SPRAY GUN HOLDER (1 Single Spray Gun)	2
W2COM6093	MAGNETIC ADAPTOR HOLDER (for PPS-RPS Adaptors)	3
W2COM6094	MAGNETIC AIR HOSE HOLDER (Max. Hose length 20 m)	4

GRAVITY GUN HOLDERS

FEATURES

- Suitable to hold Gravity Guns after use or during the filling of the cup
- Available in 3 versions with base:
- Single Central Gravity (wall mountable)
 - Multiple Central Gravity (3 places)
 - Single Side Gravity



ORDER INFORMATION

CODE	DESCRIPTION	REF.
W2501000500	CENTRAL GRAVITY GUN HOLDER (3 SPRAY GUNS)	A
W2501000100	CENTRAL GRAVITY GUN HOLDER (1 SPRAY GUN) WALL MOUNTABLE	B

IMPACT CONTROLLER 2

FEATURES

- Air Pressure Gauge/Regulator
- Joints G1/4"
- Chrome plated aluminium body
- Steel gauge case
- Control range 0-10 bar



ORDER INFORMATION

CODE	DESCRIPTION
W2012920700	IMPACT CONTROLLER2 - AIR PRESSURE REGULATOR

GARAGE EQUIPMENT



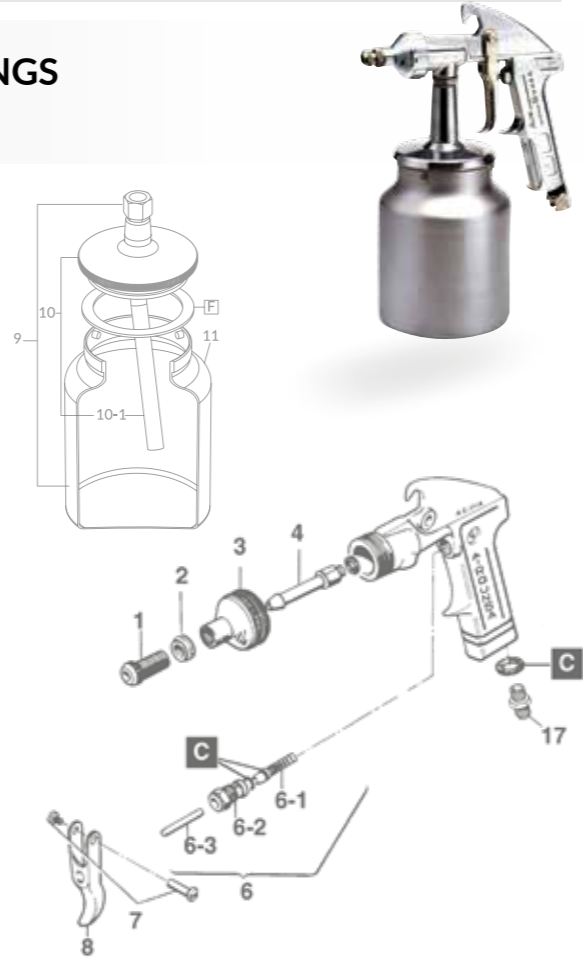
AZ PVA & AZ PVA TN

AZ PVA SPRAY GUN FOR BODY COATINGS

with 1 lt. PIN LOCK CUP

ORDER INFORMATION

REF.	CODE	DESCRIPTION
	W0011300000	AZ PVA SPRAY GUN with 1 lt. Aluminium Pin Lock C
1	W2011340100	EXTERNAL AIR CAP SET
2	W2011340900	JAM NUT
3	W2011340200	HEAD CONNECTION
4	W2011340300	FLUID NOZZLE
6	W2011320100	SEAT VALVE
6-1	W2011330300	VALVE
6-2	W2011330200	AIR VALVE SEAT SET
6-3	W2020140200	AIR VALVE
7	W2COM4008	TRIGGER STUD
8	W2011340700	TRIGGER
17	W2052191414	AIR NIPPLE G1/4" M
C	W2KIT48	PACKING SET (7 pcs./1 pk.)
10	04002460	CONTAINER SET
10-1	04002480	LID SET
10-2	04002500	SUCTION HOSE
10-3	04006130	CONTAINER 1 lt.

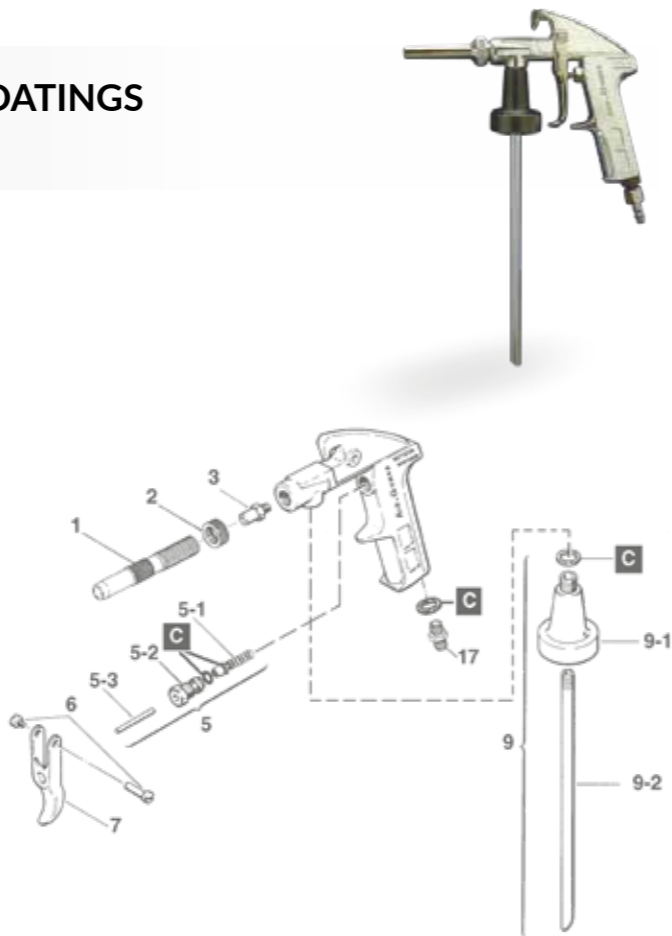


AZ PVA TN SPRAY GUN FOR BODY COATINGS

with SUCTION HOSE

ORDER INFORMATION

REF.	CODE	DESCRIPTION
	W0012200000	AZ PVA TN SPRAY GUN with SUCTION HOSE
1	W2012240600	OUTER NOZZLE
2	W4020130102	MILLED NUT FOR OUTER NOZZLE
3	W2030640100	AIR CAP SET
5	W2011320100	SEAT VALVE
5-1	W2011330300	VALVE
5-2	W2011330200	AIR VALVE SEAT SET
5-3	W2020140200	AIR VALVE
6	W2COM4008	TRIGGER STUD
7	W2011340700	TRIGGER
9	W2012220200	KIT LID WITH HOSE
9-1	W2012240400	LID
9-2	W2012240500	SUCTION HOSE
17	W2052191414	AIR NIPPLE G1/4" M
C	W2500100800	PACKING SET (3 pcs./1 pk.)



P6 - PL 6 & AE7 SPRAYERS

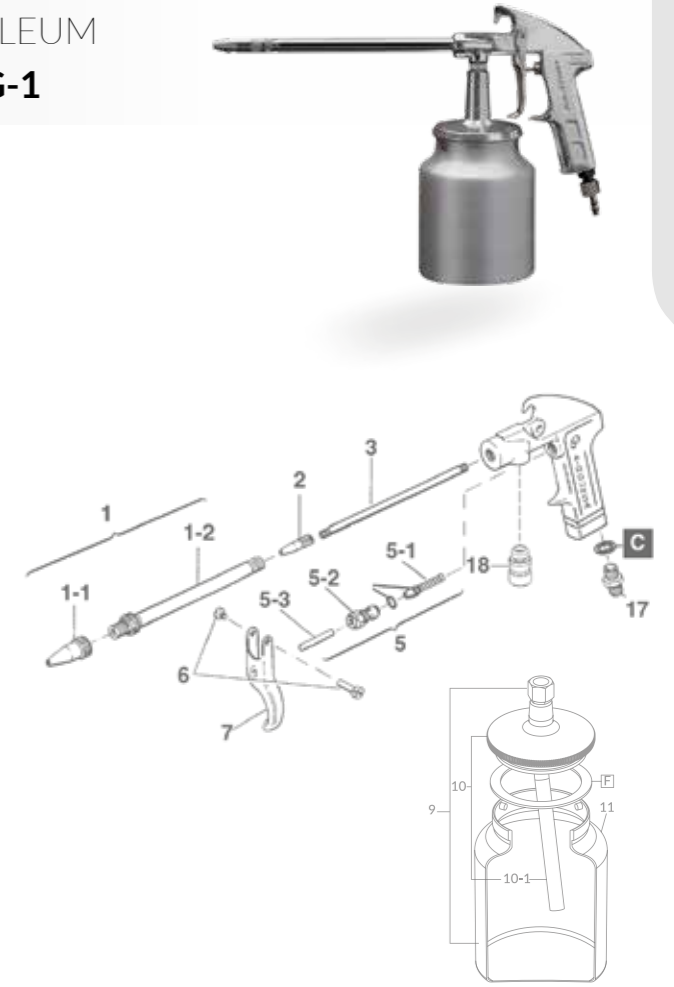


P6 & PL 6 SPRAYERS FOR OIL, PETROLEUM

& DETERGENT with 1 lt. PIN LOCK CUP AG-1

ORDER INFORMATION

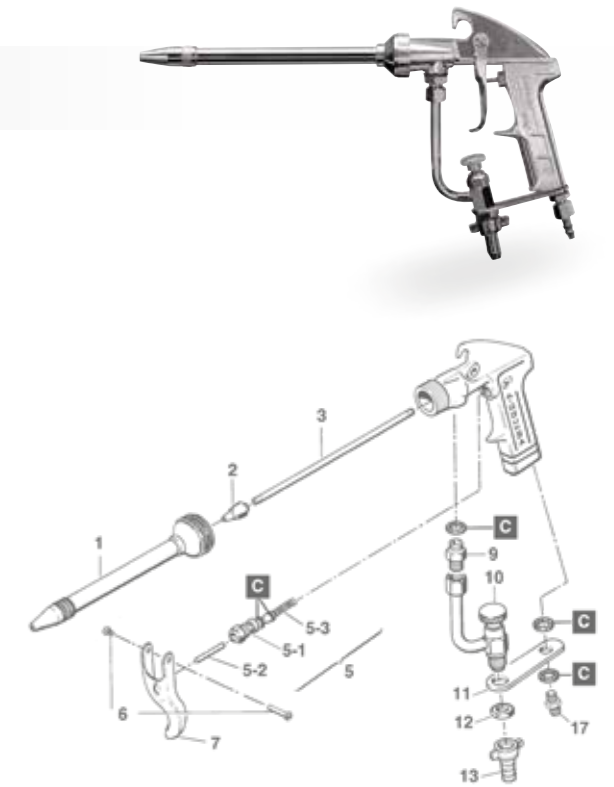
REF.	CODE	DESCRIPTION
	W0020100000	P6 SPRAYER with 1 lt. ALUMINIUM CUP with 260 mm EXTENSION TUBE
	W0020200000	PL6 SPRAYER with 1 lt. ALUMINIUM CUP with 500 mm EXTENSION TUBE
1	W2020120100	OUTER TUBE SET 260 mm
1	W2020220100	OUTER TUBE SET 500 mm
1-1	W2020140400	NOZZLE
1-2	W2020130100	TUBE 260 mm
1-2	W2020230100	TUBE 500 mm
2	W2020140500	AIR CAP SET
3	W2020140600	INNER TUBE 260 mm
3	W2020240100	INNER TUBE 500 mm
5	W2011320100	SEAT VALVE
5-1	W2011330300	VALVE
5-2	W2011330200	AIR VALVE SEAT SET
5-3	W2020140200	AIR VALVE
6	W2COM4008	TRIGGER STUD
7	W2011340700	TRIGGER
C	W2KIT47	PACKING SET (6 pcs./1 pk.)
17	W2052191414	AIR NIPPLE G1/4" M
18	W2COM5048	FLUID NIPPLE G 3/8" M
9	04006100	AG-1 CONTAINER SET 1lt.
10	04006110	LID SET
10-1	04010000	SUCTION TUBE
11	04006130	CONTAINER 1 lt.
F	W2KIT42	LID PACKING SET (2 pcs./1 pk.)



AE7 SPRAYER FOR MIXED AIR & WATER

ORDER INFORMATION

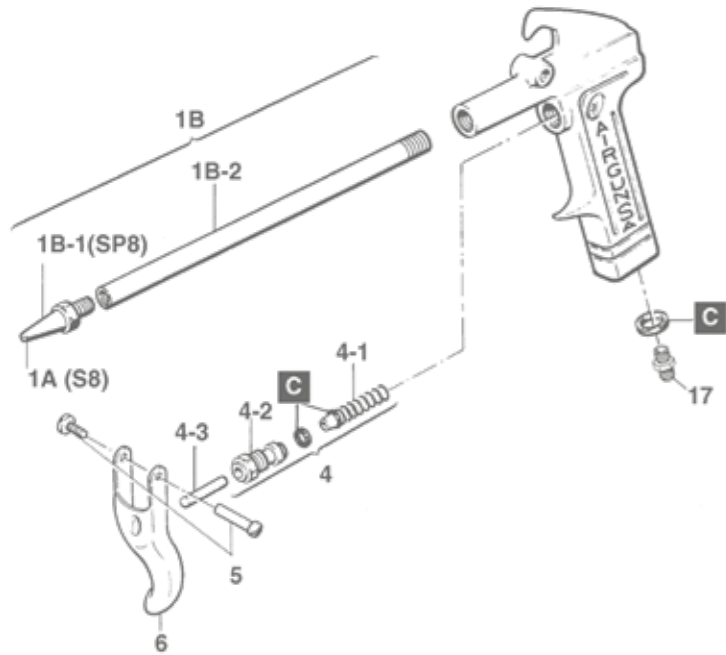
REF.	CODE	DESCRIPTION
	W0020500000	AE7 SPRAYER
1	W2020530100	NOZZLE OUTER 210 mm
2	W2020540100	FLUID NOZZLE
3	W2020540200	NOZZLE CONNECTION
5	W2011320100	SEAT VALVE
5-1	W2011330300	VALVE
5-2	W2011330200	AIR VALVE SEAT SET
5-3	W2020140200	AIR VALVE
6	W2COM4008	TRIGGER STUD
7	W2011340700	TRIGGER
9	W2020540500	AIR NIPPLE
10	W2020530200	DRAIN VALVE
11	W2020540300	CONNECTION PLATE
12	W2020540400	HEXAGON NUT
13	W2052293812	CONNECTION HOSE
17	W2052191414	AIR NIPPLE G1/4" M
C	W2500200100	PACKING SET (5 pcs./1 pk.)



S8 & SP8 BLOWING GUNS

S8 BLOWING GUN

SP8 BLOWING GUN with Extension Nozzle



ORDER INFORMATION

REF.	CODE	DESCRIPTION
	W0030100000	S8 BLOWING GUN
	W0030200000	S8 BLOWING GUN with Quick Coupling 1/4"
	W0030700000	SP8 BLOWING GUN with Nozzle Extension 240 mm
	W0030300000	SP8 BLOWING GUN with Nozzle Extension 240 mm with Quick Coupling 1/4"
1 A	W2030140200	NOZZLE S8
1 B	W2030720100	KIT OUTER HOSE 240 mm SP8
1 B-1	W2030740200	OUTER HOSE SP8
1 B-2	W2030740300	HOSE 240 mm SP8
4	W2011320100	SEAT VALVE
4-1	W2011330300	VALVE
4-2	W2011330200	AIR VALVE SEAT SET
4-3	W2020140200	AIR VALVE
5	W2COM4008	TRIGGER STUD
6	W2011340700	TRIGGER
C	W2500300300	PACKING SET (4 pcs./1 pk.)
17	W2052191414	AIR NIPPLE G1/4" M

ST - ST 1 & ST 1S

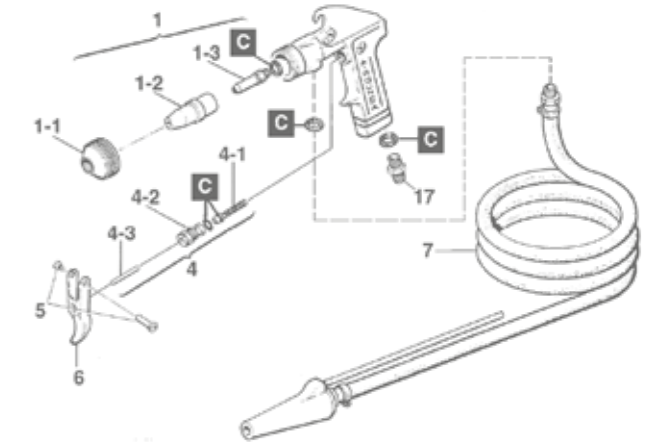


ST SANDBLASTING GUN with SAND SUCTION HOSE



ORDER INFORMATION

REF.	CODE	DESCRIPTION
	W0030500050	ST SANDBLASTING GUN ø 5.0 mm with 1.5 m SAND SUCTION HOSE
	W0030510150	ST SANDBLASTING GUN ø 5.0 mm
	W0030500060	ST SANDBLASTING GUN ø 6.0 mm with 1.5 m SAND SUCTION HOSE
	W0030510160	ST SANDBLASTING GUN ø 6.0 mm
1	W2030520150	NOZZLE SET ø 5 mm
1	W2030520160	NOZZLE SET ø 6 mm
1-1	W2030540100	CONNECTION AIR CAP
1-2	W2030540550	HARDENED STEEL OUTER NOZZLE ø 5 mm
1-2	W2030540560	HARDENED STEEL OUTER NOZZLE ø 6 mm
1-3	W2030540400	STAINLESS STEEL INNER NOZZLE
4	W2011320100	AIR VALVE SET
4-1	W2011330300	AIR VALVE
4-2	W2011330200	AIR VALVE SEAT
4-3	W2020140200	AIR VALVE SHAFT
5	W2COM4008	TRIGGER STUD
6	W2011340700	TRIGGER
7	W0030530100	SUCTION HOSE SET
17	W2052191414	AIR NIPPLE G1/4" M
C	W2500300100	PACKING SET (5 pcs./1 pk.)



ST1 & ST1 S SANDBLASTING GUN



ORDER INFORMATION

REF.	CODE	DESCRIPTION
	W0030600000	ST 1 SANDBLASTING GUN with 1 lt. PIN LOCK CUP AG-1
	W0030800000	ST 1S SANDBLASTING GUN with 3 m SAND SUCTION HOSE
1	W2030640300	NOZZLE
2	W2030640200	JAM NUT
3	W2030640100	AIR CAP SET
6	W2011320100	AIR VALVE SET
6-1	W2011330300	AIR VALVE
6-2	W2011330200	AIR VALVE SEAT
6-3	W2020140200	AIR VALVE SHAFT
7	W2COM4008	TRIGGER STUD
8	W2011340700	TRIGGER
17	W2052191414	AIR NIPPLE G1/4"
18	W2COM5048	FLUID NIPPLE G3/8" M
C	W2KIT47	PACKING SET (6 pcs./1 pk.)
C	W2500300200	PACKING SET (4 pcs./1 pk.) (ST1S)
M	W0030830100	SUCTION HOSE (ST1S)
9	04006100	AG-1 CONTAINER SET
10	04006110	LID SET
10-1	04010000	SUCTION TUBE
11	04006130	CONTAINER 1 lt.
F	W2KIT42	LID PACKING SET (2 pcs./1 pk.)

