

PROFESSIONAL
AIRBRUSHES
& COMPRESSORS

iwata
by ANEST IWATA





5

WAYS TO SPRAY

Five Categories of Airbrush Spray Excellence

iwata
by ANEST IWATA

1 iwata
ABSOLUTE PRECISION™
究極の精度

Custom Micron
AIRBRUSH SERIES

2 iwata
TOTAL CONTROL™
トータルコントロール

Hi-Line
AIRBRUSH SERIES | High Performance PLUS
AIRBRUSH SERIES

3 iwata
ALL-STAR VERSATILITY™
便利で多才

Eclipse
AIRBRUSH SERIES

4 iwata
EFFORTLESS COVERAGE™
手順で手軽

Revolution
AIRBRUSH SERIES | neo
by iwata
AIRBRUSH SERIES

5 iwata
FULL FINISH™
本格塗装

iwata
G-SERIES | ANEST
IWATA

INDEX

AIRBRUSHES

	Page	Spare Parts
PROFESSIONAL AIRBRUSH CUSTOM MICRON2 SERIES CM-C2 Plus, CM-C2, CM-B2, CM-TAKUMI,	4	26
PROFESSIONAL AIRBRUSH HiLINE SERIES HP-BH, HP-CH	5	27
PROFESSIONAL AIRBRUSH HiLINE SERIES with TRIGGER HP-TH2, HP-TH.....	5	28
PROFESSIONAL AIRBRUSH HIGH PERFORMANCE PLUS SERIES HP-BP, HP-SBP, HP-CP, HP-BCP.....	6	29
PROFESSIONAL AIRBRUSH ECLIPSE SERIES HP-BS, HP-CS, HP-TAKUMI, HP-BCS	7	30
PROFESSIONAL AIRBRUSH REVOLUTION SERIES HP-BR, HP-CR, HP-SAR, HP-BCR.....	8	31
PROFESSIONAL AIRBRUSH REVOLUTION SERIES with TRIGGER HP-TR1, HP-TR2	9	32
PROFESSIONAL AIRBRUSH REVOLUTION MINI LINE SERIES HP-M1, HP-M2.....	9	33
PROFESSIONAL AIRBRUSH NEO SERIES HP-BCN, HP-CN	10	34
PROFESSIONAL AIRBRUSH NEO SERIES with TRIGGER HP-TRN2, HP-TRN1.....	10	35
PROFESSIONAL SPRAYGUN G SERIES HP-G3, HP-G5.....	11	36

COMPRESSORS & ACCESSORIES

	Page
AIRBRUSHES ACCESSORIES	12 - 15
AEROGRAPHY KIT	15
COMPRESSORS	16 - 17

STENCIL & ACCESSORIES

	Page
STENCILARTOOL	18 - 22
BOOKS & VIDEOS	23
MASKING FILMS.....	24

Custom Micron

AIRBRUSH SERIES



Custom Micron CM-C2 Plus

Head System C2: ICM4502

Head System C1: ICM4518

- Adjustable main lever tension
- Pre-set handle
- Releceable PTFE needle packing

- Feed: _____ Gravity
- Cup capacity: _____ 9 ml
- Type: _____ Double Action

Detail Thickness: C2= Medium/Fine / C1=Extreme Detail-



Custom Micron CM-C2

Head System C2: ICM4002

- Adjustable main lever tension
- Pre-set handle
- Crown cap

- Feed: _____ Gravity
- Cup capacity: _____ 9 ml
- Type: _____ Double Action

Detail Thickness: C2= Medium/Fine



Custom Micron CM-B2

Head System C1: ICM2002

Head System C2: ICM2023

- Adjustable main lever tension
- Pre-set handle
- Crown cap

- Feed: _____ Gravity
- Cup capacity: _____ 1.8 ml
- Type: _____ Double Action

Detail Thickness: C1=Extreme Detail



Custom Micron CM-TAKUMI

Head System C1: ICM350T

- Adjustable main lever tension
- Pre-set handle
- Crown cap
- Right or left side-feed cup position

- Feed: _____ Side Feed
- Cup capacity: _____ 7 ml
- Type: _____ Double Action

Detail Thickness: C1=Extreme Detail

Hi-Line

AIRBRUSH SERIES



Hi-Line HP-BH

Head System H2: H2100

- Adjustable main lever tension
- Pre-set handle
- External needle adjustment: standard
- MAC air valve

- Feed: _____ Gravity
- Cup capacity: _____ 1.8 ml
- Type: _____ Double Action

Detail Thickness: H2= Fine



Hi-Line HP-CH

Head System H3: H4100

- Adjustable main lever tension
- Pre-set handle
- External needle adjustment: standard
- MAC air valve

- Feed: _____ Gravity
- Cup capacity: _____ 9 ml
- Type: _____ Double Action

Detail Thickness: H3= Medium

Hi-LINE TRIGGER Series

H5100 Hi-Line HP-TH2



H5200 Hi-Line HP-TH



Hi-Line HP-TH

Head System H6: H5100

Head System H5: H5200

- Feed: _____ Gravity
- Cup capacity: _____ 15 ml
- Type: _____ Double Action

Detail Thickness: H6= Medium / H5= Fine

- MAC valve (Micron air pressure control)
- Spray gun trigger design
- Air cap for round And flat pattern
- Needle packing in pft



High Performance PLUS

AIRBRUSH SERIES



- Adjustable main lever tension
- Pre-set handle
- External needle adjustment: standard

HI-Performance PLUS HP-BP

Head System H2: H2001

- Feed: Gravity
- Cup capacity: 1.8 ml
- Type: Double Action

Detail Thickness: H2= Fine



- Adjustable main lever tension
- Pre-set handle
- External needle adjustment: standard

HI-Performance PLUS HP-CP

Head System H3: H4001

- Feed: Gravity
- Cup capacity: 9 ml
- Type: Double Action

Detail Thickness: H3= Medium



- Adjustable main lever tension
- Pre-set handle
- External needle adjustment: standard
- Optional: side gravity cup 7.0 ml
gravity cup 14 ml
siphon bottle 28 ml

HI-Performance PLUS HP-SBP

Head System H2: H3001

- Feed: Side Feed
- Cup capacity: 3.8 ml
- Type: Double Action

Detail Thickness: H2= Fine



- Adjustable main lever tension
- Pre-set handle
- External needle adjustment: standard

HI-Performance PLUS HP-BCP

Head System H3: H5001

- Feed: Suction
- Cup capacity: 28 ml
- Type: Double Action

Detail Thickness: H3= Medium



Eclipse

AIRBRUSH SERIES



- Single cut-away handle
- Adjustable main lever tension

Eclipse HP-BS

Head System E3: ECL2500

- Feed: Gravity
- Cup capacity: 1.8 ml
- Type: Double Action

Detail Thickness: E3= Fine/Medium detail



- Single cut-away handle
- Adjustable main lever tension

Eclipse HP-CS

Head System E3: ECL4500

- Feed: Gravity
- Cup capacity: 9 ml
- Type: Double Action

Detail Thickness: E3= Fine/Medium detail



- Single cut-away handle
- Adjustable main lever tension
- Cup position for right-handed or left-handed

Eclipse HP-TAKUMI

Head System E3: ECL350T

- Feed: Side Feed
- Bottle capacity: 7 ml
- Type: Double Action

Detail Thickness: E3= Fine/Medium detail



- Single cut-away handle
- Adjustable main lever tension
- Solvent resistant o-ring

Eclipse HP-BCS

Head System E5: ECL2000

- Feed: Suction
- Bottle capacity: 28 ml
- Type: Double Action

Detail Thickness: E5= Medium/ Wide detail

Revolution

AIRBRUSH SERIES



- Replaceable PTFE needle packing
- Solid ergonomic handle
- Adjustable main lever tension

Revolution HP-BR

Head System R3: R2500

- Feed: _____ Gravity
- Cup capacity: _____ 1.8 ml
- Type: _____ Double Action

Detail Thickness: R3= Fine/ Medium detail



- Pre-set handle
- Adjustable main lever tension
- Crown cap

Revolution HP-CR

Head System R5: R4500

Head System R3: R4503

- Feed: _____ Gravity
- Cup capacity: _____ 9 ml
- Type: _____ Double Action

Detail Thickness: R3= Fine/ Medium detail - R5= Medium/ Wide detail



- Replaceable PTFE needle packing
- Solid ergonomic handle
- Adjustable main lever tension

Revolution HP-SAR

Head System R5: R1000

- Feed: _____ Suction
- Cup capacity: _____ 28 ml
- Type: _____ Single Action

Detail Thickness: R5= Medium/ Wide detail



- Replaceable PTFE needle packing
- Solid ergonomic handle
- Adjustable main lever tension

Revolution HP-BCR

Head System R5: R2000

- Feed: _____ Suction
- Cup capacity: _____ 28 ml
- Type: _____ Double Action

Detail Thickness: R5= Medium/ Wide detail

REVOLUTION TRIGGER AIRBRUSH



- Replaceable PTFE needle packing
- Solid ergonomic handle
- Adjustable main lever tension

Revolution HP-TR1

Head System N3: R5000

- Feed: _____ Side Gravity
- Cup capacity: _____ 9 ml
- Type: _____ Double Action

Detail Thickness: R3= Fine/ Medium detail



- Replaceable PTFE needle packing
- Solid ergonomic handle
- Adjustable main lever tension

Revolution HP-TR2

Head System N5: R5500

- Feed: _____ Side Gravity
- Cup capacity: _____ 15 ml
- Type: _____ Double Action

Detail Thickness: R5= Medium/ Wide detail

NEO TRIGGER Series

The Revolution MINI Series features break through technology and top-of-the-line performance at great value. The MINI Series will become a significant tool for progressive Beauty Professional, Temporary Tattoo artist, RC enthusiasts and Model Builders. The HP-M Revolution are action gravity feed airbrushes with flow control at the back of airbrush by just twisting. Also feature PTFE needle packing for use with solvent based paints. The MINI Series is great for the temporary tattoo artist, beauty professional, nail artists and model builders.



Gravity-Feed Single-Action Airbrush



- Designed for low pressure applications

Mini Line HP-M1

Head System M3: R1050

- Feed: _____ Gravity
- Cup capacity: _____ 1.5 ml
- Type: _____ Single Action

Detail Thickness: M3= Fine/ Medium detail



- Designed for low pressure applications

Mini Line HP-M2

Head System M4: R1060

- Feed: _____ Gravity
- Cup capacity: _____ 7 ml
- Type: _____ Single Action

Detail Thickness: M4= Medium/ Wide detail

neo
for iwata

AIRBRUSH SERIES



- Includes interchangeable large (1/3 oz.) and medium (1/16 oz.) cups designed with a funnel shape, which makes for easy clean-up and more efficient paint flow.

NEO HP-CN

Head System N3: N4500

- Feed: Gravity
- Interchangeable Cups: 9 ml cup - 2 ml cup - (0.9 ml w/o cup)
- Type: Double Action

Detail Thickness: N3= Fine/ Medium detail



- Includes a 1 oz. Big Mouth Bottle. (Also compatible with other sizes of Big Mouth Bottles and Iwata bottles.)

NEO HP-BCN

Head System N5: N2000

- Feed: Gravity
- Bottle capacity: 28 ml
- Type: Double Action

Detail Thickness: N5= Medium/ Wide detail

NEO TRIGGER Series

This is not any ordinary trigger Airbrush! The NEO Series, including these New NEO for Iwata Trigger Airbrushes, are unique in that they are designed to work at low air pressures. The benefits of the NEO Trigger Airbrushes working with low air pressures are minimal overspray, precise control, detailed spraying, fine atomization and affordability. Specifically designed to work together, the NEO AIR for Iwata Miniature Air Compressor and the New NEO for Iwata Trigger Airbrushes make the perfect set...affordable and compact!



- Applications include: cosmetics, nail art, miniature, hobbies, photo retouching, illustration.

NEO HP-TRN1

Head System N3: N5500

- Feed: Gravity
- Interchangeable Cups: 9 ml (large) - 2 ml (medium)
- Type: Double Action

Detail Thickness: N3= Fine/ Medium detail



- Applications include: model railroad, general hobbies, custom automotive graphics, tanning, body art, cosmetics.

NEO HP-TRN2

Head System N5: N5000

- Feed: Side Gravity
- Interchangeable Cups: 7 ml - 15 ml - 30 ml Iwata Big Mouth Bottles
- Type: Double Action

Detail Thickness: N5= Medium/ Wide detail

iwata
by ANEST IWATA
G-SERIES



Eclipse HP-G3 & HP-G5

Head System G3: ECL9100

Head System G5: ECL9200

- Feed: Gravity
- Cup capacity (G3): 130 ml
- Cup capacity (G5): 220 ml
- Type: Double Action

Detail Thickness: G3= Wide detail - G5= Extra Wide detail



WAYS TO SPRAY
Five Categories of Airbrush Spray Excellence

iwata
by ANEST IWATA

	1	2	3	4	5
1 ABSOLUTE PRECISION	Extreme Detail	Fine	Medium	Wide	Extra Wide
2 TOTAL CONTROL	Extreme Detail	Fine	Medium	Wide	Extra Wide
3 ALL-STAR VERSATILITY	Extreme Detail	Fine	Medium	Wide	Extra Wide
4 EFFORTLESS COVERAGE	Extreme Detail	Fine	Medium	Wide	Extra Wide
5 FULL FINISH	Extreme Detail	Fine	Medium	Wide	Extra Wide



NYLON COVERED BRAIDED AIR HOSES

Code	Description
BT010	NYLON COVERED BRAIDED AIR HOSE 3,05 mt (connection 1/4-1/8)
BT050	NYLON COVERED BRAIDED AIR HOSE 3,05 mt (connection 1/4-1/4)
CTI06	COIL HOSE 1,8 mt (connection 1/4-1/8)
CTI10	COIL HOSE 3,05 mt (connection 1/4-1/8)
DTI06	STRAIGHT SHOT HOSE 1,8 mt (connection 1/4-1/8)
DTI10	STRAIGHT SHOT HOSE 3,05 mt (connection 1/4-1/8)



CRYSTAL CLEAR PLASTIC BOTTLE SET for water based paints only

Code	Description
I4501	CRYSTAL CLEAR PLASTIC BOTTLE 1 oz./28 ml (for water base paint only)
I4501P	CRYSTAL CLEAR PLASTIC BOTTLE 1 oz./28 ml (for water base paint only)
I4502	CRYSTAL CLEAR PLASTIC BOTTLE 2 oz/56 ml (for water base paint only)
I4504	CRYSTAL CLEAR PLASTIC BOTTLE 4 oz/112 ml (for water base paint only)
I4504P	CRYSTAL CLEAR PLASTIC BOTTLE 4 oz/112 ml (for water base paint only)
I4602	CRYSTAL CLEAR PLASTIC BOTTLE 2 oz/56 ml (for water base paint only)
I4602P	CRYSTAL CLEAR PLASTIC BOTTLE 2 oz/56 ml (for water base paint only)



Crystal Clear Plastic Bottles

TRANSLUCENT PLASTIC BOTTLE SET for solvent and water based paints

Code	Description
I4701	TRANSLUCENT PLASTIC BOTTLE 1 oz/28 ml (for solvend & water based paints)
I4702	TRANSLUCENT PLASTIC BOTTLE 2 oz./56 ml (for solvend & water based paints)
I4704	TRANSLUCENT PLASTIC BOTTLE 4 oz./112 ml (for solvend & water based paints)
I4802	TRANSLUCENT PLASTIC JAR 2 oz/56 ml (for solvend & water based paints)
I4803	TRANSLUCENT PLASTIC JAR 3 oz/84 ml (for solvend & water based paints)
I4803P	TRANSLUCENT PLASTIC JAR 3 oz/84 ml (for solvend & water based paints)
I4804	TRANSLUCENT PLASTIC JAR 4 oz/112 ml (for solvend & water based paints)
I4804P	TRANSLUCENT PLASTIC JAR 4 oz/112 ml (for solvend & water based paints)



High Strenght Translucent Plastic Bottles

BIG MOUTH TRANSLUCENT PLASTIC BOTTLE SET

Code	Description
A4701	BIG MOUTH TRANSLUCENT PLASTIC BOTTLE 1 oz/30cc - ø 20 mm
A4702	BIG MOUTH TRANSLUCENT PLASTIC BOTTLE 2 oz/60cc - ø 24 mm
A4802	BIG MOUTH TRANSLUCENT PLASTIC BOTTLE 3 oz/80cc - ø 38 mm
A4803	BIG MOUTH TRANSLUCENT PLASTIC BOTTLE 2,5 oz/75cc - ø 38 mm
A4804	BIG MOUTH TRANSLUCENT PLASTIC BOTTLE 4 oz/110cc - ø 38 mm



BIG MOUTH PLASTIC ADAPTER CAP

Code	Description
A49020	BIG MOUTH PLASTIC ADAPTER CAP - ø 20 mm
A49024	BIG MOUTH PLASTIC ADAPTER CAP - ø 24 mm
A49038	BIG MOUTH PLASTIC ADAPTER CAP - ø 38 mm

SIDE FEED PLASTIC BOTTLE SET

Code	Description
I4501S	SIDE FEED CRYSTAL CLEAR PLASTIC BOTTLE- 1 oz/28 ml (HP-SB/SBS)
I4502S	SIDE FEED CRYSTAL CLEAR PLASTIC BOTTLE - 2 oz/56 ml (HP-SB/SBS)
I4701S	SIDE FEED TRANSLUCENT PLASTIC BOTTLE - 1 oz/28 ml (HP-SB/SBS)
I4702S	SIDE FEED TRANSLUCENT PLASTIC BOTTLE - 2 oz/56 ml (HP-SB/SBS)



Side feed plastic bottles

GLASS BOTTLE SET

Code	Description
I4052	GLASS BOTTLE SET 3/4 oz (HP-BC1P, BC2P)
I4202	GLASS BOTTLE SET 42 ml



Glass Bottles

BOTTLE CAP SET NO RUST & FASTBLAST

Code	Description
I49020	BOTTLE CAP SET NO RUST ø 20 mm
I49024	BOTTLE CAP SET NO RUST ø 24 mm
I49024P	BOTTLE CAP SET FASTBLAST ø 24 mm
I49038	BOTTLE CAP SET NO RUST ø 38 mm
I49038P	BOTTLE CAP SET FASTBLAST ø 38 mm



SIDE FEED CAP SET

Code	Description
I49020S	SIDE FEED CAP SET ø 20 mm
I49024S	SIDE FEED CAP SET ø 24 mm

2 or 3-WAY ASSEMBLING VALVE

Code	Description
012004	2-WAY ASSEMBLING VALVE
012005	3-WAY ASSEMBLING VALVE
020100	AIRBLAST REGULATOR ADAPTOR



Assembling valves

AIR HOSES QUICK DISCONNECT SETS

Code	Description
I6241	ADAPTOR (1/4 F 1/8 M)
I6242	ADAPTOR (1/4 M 1/8 F)
I1603	QUICK FIT SET (QD & ADAPTOR)
I1604	QUICK FIT ADAPTOR
I0105	AIR HOSE JOINT SET (BRASS)



AIR FILTERS AND PRESSURE REGULATORS

Code	Description
FA450	PISTOL GRIP MOISTURE FILTER
FA500DH	MOISTURE FILTER FA 500
FA600DH	MOISTURE FILTER W/REGULATOR & GAUGE
FA700DH	PRESSURE REGULATOR & GAUGE





CLEANERS, LUBRICANT AND CLEANING ACCESSORIES

Code	Description
CL100	IWATA AIRBRUSH CLEANING KIT
CL150	AIRBRUSH CLEANING KIT REFILL PACK
CLMG1	IWATA LED MAGNIFIER
CLNW1	IWATA NOZZLE WRENCH
015001	LUBRICANT (SUPER LUBE) 1/2 oz/14 ml
CL200	IWATA AIRBRUSH CLEANING MAT
660080	ARTOOL STUDIO WIPES, 80CT TUB
660012	ARTOOL STUDIO WIPES, 12CT POUCH
6600POP	ARTOOL STUDIO WIPES, POUCH POP
636016	MEDEA AIRBRUSH CLEANER SPRAYER 360 ° 16 oz
650004	AIRBRUSH CLEANER - bottle 4 oz/112 ml
650008	AIRBRUSH CLEANER - bottle 8 oz/224 ml
650016	AIRBRUSH CLEANER - bottle 16 oz/448 ml
650032	AIRBRUSH CLEANER - bottle 32 oz/896 ml



Cleaning Kit



Cleaners

AIRBRUSH HOLDERS & CLEANING POT

Code	Description
CL300	CLEANING STATION FOR AIRBRUSHES
CL310	CLEANING STATION FILTER
NAC211	CLEANING STATION FILTER



MEDEA USB RECHARGEABLE ELECTRIC ERASER

Code	Description
MUE100	MEDEA USB RECHARGEABLE ELECTRIC ERASER
MUER70	MEDEA USB ERASER REFILL PACK

AIRBRUSH MAINTENANCE TOOLS WITH ZIPPERED CASE

Code	Description
CL500	AIRBRUSH MAINTENANCE TOOLS WITH ZIPPERED CASE
CLSJPINSERT	REPLACEMENT JAW INSERT



TRIPLE - ACTION HANDLE SET

Code	Description
K155	TRIPLE-ACTION HANDLE SET W/ 5 COLORED HANDLES

Triple-Action Handle



External MAC valve

Ergonomic handle

EXTERNAL MAC VALVE & ERGONOMIC HANDLE

Code	Description
K250	EXTERNAL MAC VALVE FOR AIR FLOW CONTROL
K200	ERGONOMIC HANDLE GRIP HP-TH/HP-TR

AIRBRUSH MAGNETIC WORKSTATION & HOLDER

Code	Description
KJ100	AIR-PORT HANGER MAGNETIC / BOLT-ON
AH400	UNIVERSAL AIRBRUSHES HOLDER

AIR-PORT
AIRBRUSH WORKSTATION BY KARAJEN CORP.



AIR-PORT HANGER



Universal Airbrushes Holder

AEROGRAPHY Kits



AIRBRUSH KIT

Code	Description
DLXIS850CR	DELUXE AIRBRUSH KIT IS 850 + HP-CR + ACCESSORIES
DLXIS850CP	DELUXE AIRBRUSH KIT IS 850 + HP-CP + ACCESSORIES
130609A0	REVOLUTION AIRBRUSH KIT IS 50 DE + HP-CR + ACCESSORIES
IW120	AIRBRUSH KIT NEO SERIES
VT070	ROBERT PASCHAL - BASIC AIRBRUSH TECHNIQUES BOOK
VT075	BASIC AIRBRUSH TECHNIQUES EXERCISE KIT

Basic Airbrush Techniques Exercise Kit (VT 075)



DELUXE AIRBRUSH KIT (DLXIS850CR)

ALL-STAR VERSATILITY
Eclipse



REVOLUTION KIT (130609A0)

EFFORTLESS COVERAGE
neo
by iwata



NEO AIRBRUSH KIT (IW120)

EFFORTLESS COVERAGE
Revolution



LOW PRESSURE OUTPUT AIRBRUSH COMPRESSORS

IWATA NEO AIR AIRBRUSH COMPRESSOR

Code	Description
IS30UP	IWATA NEO AIR AIRBRUSH COMPRESSOR
Motor: 100-240 Volt - Max. Working pressure: 1.0 bar - Air Consumption: 10.5 l/min	



IWATA NINJA JET AIRBRUSH COMPRESSOR

Code	Description
IS35DE	IWATA NINJA JET AIRBRUSH COMPRESSOR
Motor: 140-110 Watt - Max. Working pressure: 1.3 bar - Air Consumption: 9 l/min	



IWATA SILVER JET AIRBRUSH COMPRESSOR

Code	Description
IS50DE	IWATA SILVER JET AIRBRUSH COMPRESSOR
Motor: 140-110 Watt - Max. Working pressure: 1.3 bar - Air Consumption: 9 l/min	



MEDIUM PRESSURE OUTPUT AIRBRUSH COMPRESSORS

IWATA SMART JET AIRBRUSH COMPRESSOR

Code	Description
IS850DE	IWATA SMART JET AIRBRUSH COMPRESSOR
Motor: 91 Watt - Max. Working pressure: 2.4 bar - Air Consumption: 18 l/min	



IWATA SMART JET PRO AIRBRUSH COMPRESSOR

Code	Description
IS875DE	IWATA SMART JET PRO AIRBRUSH COMPRESSOR
Motor: 91 Watt - Max. Working pressure: 2.4 bar - Air Consumption: 18 l/min	



LOW & HIGH PRESSURE OUTPUT AIRBRUSH COMPRESSORS

IWATA SMART JET PLUS TUBULAR AIRBRUSH COMPRESSOR

Code	Description
IS875HTDE	IWATA SMART JET PLUS TUBULAR AIRBRUSH COMPRESSOR
Motor: 150 Watt - Max. Working pressure: 4.2 bar - Air Consumption: 23 l/min	



IWATA POWER JET LITE AIRBRUSH COMPRESSOR

Code	Description
IS925DE	IWATA POWER JET LITE AIRBRUSH COMPRESSOR
Motor: 125 Watt - Max. Working pressure: 4.2 bar - Air Consumption: 34 l/min	



IWATA POWER JET PLUS TUBULAR AIRBRUSH COMPRESSOR

Code	Description
IS925HTDE	IWATA POWER JET PLUS AIRBRUSH COMPRESSOR
Motor: 220 Watt - Max. Working pressure: 4.2 bar - Air Consumption: 39 l/min	



IWATA POWER JET PRO AIRBRUSH COMPRESSOR

Code	Description
IS975DE	IWATA POWER JET PRO AIRBRUSH COMPRESSOR
Motor: 125 Watt - Max. Working pressure: 5.5 bar - Air Consumption: 34 l/min	



IWATA MAXXJET POWER SPEED AIRBRUSH COMPRESSOR (Mini-workstation)

Code	Description
IS1000DE	IWATA MAXXJET AIRBRUSH COMPRESSOR
Motor: 125 Watt - Max. Working pressure: 5.5 bar - Air Consumption: 40 l/min	



COMPRESSORS ACCESSORIES

Code	Description
IS010	FILTER BOWL POWER JET
IS011	FILTER REPL. POWER JET
IS012	AIR INTAKE FILTER 10PCS
IS015	REGULATOR KNOB POWER JET
IS020	TANK DRAIN VALVE POWER JET
IS110	FILTER ELEMENT IS 850
IS111	FILTER REPL. SMART JET
IS120	REGULATOR BRACKET SMART JET
IS130	COIL HOSE SMART JET
IS135	SPRINT/SMART JET FLTR/GAUGE
NAC101	MOISTURE FILTER DISPOSABLE
012009	IS 975 QD ADAPTOR (MALE PLUG)



Code	Description
FREEHAND AIRBRUSH TEMPLATE THE ESSENTIAL SEVEN™ Solvent Proof	
FH1SP	FREEHAND AIRBRUSH TEMPLATE - Eddie Young Template
FH2SP	FREEHAND AIRBRUSH TEMPLATE - Eddie Young Template
FH3SP	FREEHAND AIRBRUSH TEMPLATE - 360 Degree Shield
FH4SP	FREEHAND AIRBRUSH TEMPLATE - 45 Degree Shield
FH5SP	FREEHAND AIRBRUSH TEMPLATE - Andrea Mistretta Mini
FH6SP	FREEHAND AIRBRUSH TEMPLATE - Andrea Mistretta Super
FH7SP	FREEHAND AIRBRUSH TEMPLATE - The Big Shields
FHPSP	FREEHAND AIRBRUSH TEMPLATE ESSENTIAL - 7 Pouch
THE BIG SHIELD™ SPECIAL EDITION by Gabe Mc Cubbin	
FH7BLM	THE BIG SHIELD™ SPECIAL EDITION SET 20th Anniversary by Gabe McCubbin
FREEHAND AIRBRUSH TEMPLATE THE WAVE MAKER™	
FH8	FREEHAND AIRBRUSH TEMPLATE THE WAVE MAKER
FREEHAND AIRBRUSH TEMPLATE THE ANGLE MASTER™	
FH9SP	FREEHAND AIRBRUSH TEMPLATE THE ANGLE MASTER
FREEHAND AIRBRUSH TEMPLATE PIN-UP SHIELD™ by Edward Reed	
FH10	FREEHAND AIRBRUSH TEMPLATE PIN UP SHIELD
FREEHAND AIRBRUSH TEMPLATE MATCH MAKERS™	
FH11SP	FREEHAND AIRBRUSH TEMPLATE - MATCH MAKERS
TEMPLATE INTRO SERIESS™ by Robert Paschal	
FHIS1	INTRO SERIESS SET BY ROBERT PASCHAL
TEMPLATE PATRIOTICA™ by Craig Fraser	
PTR1SP	RED TEMPLATE
PTR2SP	WHITE TEMPLATE
PTR3SP	BLUE TEMPLATE
PTR4SP	EAGLE TEMPLATE
PTR5SP	ALL FOURL TEMPLATE
TEMPLATE BONEHEADZ™ by Mike Lavallee	
FHBH1	BONEHEADZ (CRANIUM) Template Set
FHBH2	BONEHEADZ (SCREAMERS) Template Set
FHBH3	BONEHEADZ (EIGHT8DEAD) Template Set
TEMPLATE BUBBLE FX™ by Dennis Mathewson	
FHBFX1	BUBBLE FX TM SET + DVD BY DENNIS MATHEWSON
FREEHAND AIRBRUSH TEMPLATE FLAME MASTER™	
FHFM1	FLAME MASTER MEDIUM
FHFM2	FLAME MASTER MULTIPLE
FHFM3	FLAME MASTER COMPLETE SET
TEMPLATE FLAME-o-RAMA® by Craig Fraser	
FOR1SP	TEMPLATE FLAME-DANGO
FOR2SP	TEMPLATE OL' SCHOOL
FOR3SP	TEMPLATE SLASH
FOR4SP	TEMPLATE FUNKADELIK
FOR5SP	TEMPLATE COMPLETE SET OF ALL FOUR
TEMPLATE HOT HEADZ by Mike Lavallee	
FHHH1	SMOKIN' JOES
FHHH2	HELL RIDERS

The **ESSENTIAL SEVEN™**
SIGNATURE SERIES

THE **WAVE MAKER™**

The **ANGLE MASTER™**

MATCH MAKERS™

PIN-UP SHIELD™

INTRO SERIES™
by Robert Paschal

CRAIG FRASER'S
Patriotica™

BONE HEADZ™
BY MIKE LAVALLEE

Dennis Mathewson's
Bubble FX™

FLAME MASTER™

CRAIG FRASER'S
FLAME-o-RAMA™

CRAIG FRASER'S
FLAME-o-RAMA™ 2

MIKE LAVALLEE'S
HOT HEADZ™



Code	Description
TEMPLATE KUSTOM FX™	
KFX1SP	TEMPLATE TIKI MADNESS
KFX2SP	TEMPLATE BULLET - RIDDEN
KFX3SP	TEMPLATE CHEETAH PIMP
KFX4SP	TEMPLATE DIAMOND PLATE
KFX5SP	TEMPLATE CLOUD-9
KFX6SP	TEMPLATE BRAINIAC
KFX7SP	TEMPLATE COMPLETE SET OF ALL SIX
TEMPLATE KUSTOM FX 2™ by Craig Fraser	
FXII8SP	ARTOOL TEMPLATE "PUZZLED"
FXII9SP	ARTOOL TEMPLATE "NUT N" BOLTZ"
FXII10SP	ARTOOL TEMPLATE "GEAR HEAD"
FXII11SP	ARTOOL TEMPLATE "DOLLA" BILL"
FXII 2SP	ARTOOL TEMPLATE "DRAGON SKIN"
FXII13SP	ARTOOL TEMPLATE "THE BLOB"
PGFX1	ARTOOL POCKET GRAFX AIRBRUSH TEMPLATE
FXII14SP	ARTOOL TEMPLATE "ALL SIX!"
TEMPLATE KUSTOM FX 3™ by Craig Fraser	
FX315SP	TEMPLATE GLYPHS
FX316SP	TEMPLATE UNCHAINED
FX317SP	TEMPLATE THE WEB
FX318SP	TEMPLATE BLADES
FX319SP	TEMPLATE MUSIKA
FX320SP	TEMPLATE BARBY
FX321SP	TEMPLATE SET FX3
TEMPLATE KUSTOM FX 4™ by Craig Fraser	
FHFX422	TEMPLATE FX4 WRENCHED BY CRAIG FRASER
FHFX423	TEMPLATE FX4 FRONDS BY CRAIG FRASER
FHFX424	TEMPLATE FX4 SRAEG BY CRAIG FRASER
FHFX425	TEMPLATE FX4 CLASSIC CAMO BY CRAIG FRASER
FHFX426	TEMPLATE FX4 DIGITAL CAMO BY CRAIG FRASER
FHFX427	TEMPLATE FX4 GATOR BY CRAIG FRASER
FHFX428	TEMPLATE FX4 COMPLETE SET BY CRAIG FRASER
TEMPLATE KUSTOM KULTURE FX™ by Craig Fraser	
KKFX15SP	TEMPLATE "FLY BALLZ"
KKFX16SP	TEMPLATE "PISTONS & PLUGS"
KKFX18SP	TEMPLATE "ACES N" EIGHTS"
KKFX19SP	TEMPLATE "SACRED HEART"
KKFX20SP	TEMPLATE "MARTINI TIME"
KKFX21SP	TEMPLATE "KUSTOM CULTURE SET"
TEMPLATE KANJI MASTER® by Dennis Mathewson	
FHKM1	KANJI MASTER SERIESS - DRAGON
FHKM2	KANJI MASTER SERIESS - KOI
FHKM3	KANJI MASTER SERIESS - TSUNAMI
FHKM4	KANJI MASTER SERIESS - BAMBOO
FHKM5	KANJI MASTER SERIESS - KANJI MASK
FHKM6	KANJI MASTER SERIESS - KANJI SYMBOLS
FREEHAND AIRBRUSH TEMPLATE WIRED LONG LINES by Dean Loucks	
FHLL1	FREEHAND AIRBRUSH TEMPLATE - WIRED LONG LINES BY DEAN LOUCKS





Code	Description
TEMPLATE METROPOLIS™	
FHMET1	METROPOLIS SET
TEMPLATE PIRACY™ by Craig Fraser	
FHPRY1	TEMPLATE PIRACY TELL NO TELLS BY CRAIG FRASER
FHPRY2	TEMPLATE PIRACY JOLLY ROGER BY CRAIG FRASER
FHPRY3	TEMPLATE PIRACY O CURSED BY CRAIG FRASER
FHPRY4	TEMPLATE PIRACY TORTUGA BY CRAIG FRASER
FHPRY5	TEMPLATE PIRACY FLYING DUTCHMAN BY CRAIG FRASER
FHPRY6	TEMPLATE PIRACY PIECES OF EIGHT BY CRAIG FRASER
FHPRY7	TEMPLATE PIRACY ALL SIX BY CRAIG FRASER
TEMPLATE SAILOR GIRLIES™ by Deborah Mahan	
FHSG1	SAILOR GIRLIES SET OF FOUR
TEMPLATE SPLATTER FX™ by Gerald Mendez	
FHSFX1	SPLATTER FX SET BY GERARD MENDEZ
TEMPLATE SKULLMASTER® by Craig Fraser - Solvent Proof	
FHSK1SP	TEMPLATE SKULL MASTER MULTIPLE SOLVENT PROOF
FHSK2SP	TEMPLATE SKULL MASTER FRONTAL SOLVENT PROOF
FHSK3SP	TEMPLATE SKULL MASTER SCREAMING SOLVENT PROOF
FHSK4SP	TEMPLATE SKULL MASTER SET ALL THREE SOLVENT PROOF
TEMPLATE SON OF SKULLMASTER® by Craig Fraser - Solvent Proof	
FHSK5SP	TEMPLATE SON / SKULL NITE & DAY SOLVENT PROOF
FHSK6SP	TEMPLATE SON / SKULL DEVIL ON ANGEL SOLVENT PROOF
FHSK7SP	TEMPLATE SON / SKULL BONZ SOLVENT PROOF
FHSK8SP	TEMPLATE SON / SKULL MENAGERIE SOLVENT PROOF
FHSK9SP	TEMPLATE SON / SKULL SET ALL FOUR SOLVENT PROOF
TEMPLATE THE CURSE OF SKULLMASTER® by Craig Fraser	
FHSK10SP	PETTING ZOO
FHSK11SP	EVIL HORDE
FHSK12SP	BUCKANEER
FHSK13SP	VOODOO
FHSK14SP	BONZ II
FHSK15SP	ALL FIVE
TEMPLATE THE RETURN OF SKULLMASTER by Craig Fraser®	
FHSK16SP	FRONTAL II
FHSK17SP	MULTIPLE II
FHSK18SP	SCREAMIN II
FHSK19SP	LUCKY 13
FHSK20SP	ALL FOUR
TEMPLATE HORROR OF SKULLMASTER® by Craig Fraser	
FHSK21SP	TEMPLATE HEADS UP
FHSK22SP	TEMPLATE THE SCREAM
FHSK23SP	TEMPLATE PROFILE
FHSK24SP	TEMPLATE COMPLETE SET OF ALL
TEMPLATE WRATH OF SKULLMASTER® by Craig Fraser	
FHSK26SP	CRAIG FRASER - WRATH OF SKULLMASTER - MR. POTATO BONZE
FHSK27SP	CRAIG FRASER - WRATH OF SKULLMASTER - MR. POTATO BONZE STUPH #1
FHSK28SP	CRAIG FRASER - WRATH OF SKULLMASTER - MR. POTATO BONZE STUPH #2
FHSK29SP	CRAIG FRASER - WRATH OF SKULLMASTER - BURIAL GROUND
FHSK30SP	CRAIG FRASER - WRATH OF SKULLMASTER - KALAVERAS
FHSK31SP	CRAIG FRASER - WRATH OF SKULLMASTER - BONZE III
FHSK32SP	CRAIG FRASER - WRATH OF SKULLMASTER - COMPLETE SET OF SIX



Code	Description
LIMITED EDITION SKULL DUGGERY TEMPLATE by Craig Fraser	
FHSK25SP	CRAIG FRASER'S LIMITED EDITION SKULL DUGGERY TEMPLATE
FREEHAND AIRBRUSH TEMPLATE - EVIL 3 BY CRAIG FRASER	
FHSKLTD	FREEHAND AIRBRUSH TEMPLATE - EVIL 3 BY CRAIG FRASER
FREEHAND AIRBRUSH TEMPLATE MASTERS SERIES BY RADO VERO	
FHRVSP	FREEHAND AIRBRUSH TEMPLATE MASTERS SERIES BY RADO VERO
SPIDER MASTER™ by Craig Fraser	
FHSM1	SPIDER MASTER - SPIDER BY CRAIG FRASER
FHSM2	SPIDER MASTER - ARACHNOPHOBIA BY CRAIG FRASER
FHSM3	SPIDER MASTER - WIDOW-MAKER BY CRAIG FRASER
FHSM4	SPIDER MASTER SET BY CRAIG FRASER
STEAMPUNK FX® by Craig Fraser	
FHSPFX1	STEAMPUNK FX JUNK
FHSPFX2	STEAMPUNK FX MECHANIX
FHSPFX3	STEAMPUNK FX GAUGES
FHSPFX4	STEAMPUNK FX SWITCHES
FHSPFX5	STEAMPUNK FX CLOCKWORK
FHSPFX6	STEAMPUNK FX GEAR DRIVES
FHSPFX7	STEAMPUNK FX SET
STEAMPUNK FX2® by Craig Fraser	
FHSPFX21	STEAMPUNK FX2 "KLOCKWERKS II" BY CRAIG FRASER
FHSPFX22	STEAMPUNK FX2 "JERRY-RIG" BY CRAIG FRASER
FHSPFX23	STEAMPUNK FX2 "THE LAB" BY CRAIG FRASER
FHSPFX24	STEAMPUNK FX2 "GRILLS" BY CRAIG FRASER
FHSPFX25	STEAMPUNK FX2 SET BY CRAIG FRASER
VIMFHSPFX21	STEAMPUNK FX2 "KLOCKWERKS II" BY CRAIG FRASER
STEAM DRIVEN™ by Craig Fraser	
FHSDSK1	STEAM DRIVEN "STEAM SKULL" BY CRAIG FRASER
FHSDSK2	STEAM DRIVEN "TICK TOCK" BY CRAIG FRASER
FHSDSK3	STEAM DRIVEN "SPRUNG" BY CRAIG FRASER
FHSDSK4	STEAM DRIVEN SET BY CRAIG FRASER
BLASTED FX™ by Ryno	
FHBLTFX1	CIRCLE FX
FHBLTFX2	OVAL FX
FHBLTFX3	GAMBLIN FX
FHBLTFX4	LUCKY FX
FHBLTFX5	SACRED FX
FHBLTFX6	MARINE FX
FHBLTFX7	BLASTED COMPLETE SET
H STENCIL™ by Craig Fraser	
FHHS1	H STENCIL BY CRAIG FRASER
AZTEC FX TEMPLATE SET by Gerald Mendez	
FHAZTFX1	AZTEC FX BY GERALD MENDEZ
PACK 'O'SKULLZ™ by Scott MacKay	
FHPKOS1	PACK OF SKULLZ 1
FHPKOS2	PACK OF SKULLZ 2
TRUE FIRE - 9 STENCIL SET W/DVD by Mike Lavalle	
FHTF1	MIKE LAVALLE'S TRUE FIRE - 9 STENCIL SET W/DVD
TRUE FIRE 2 WITH 2ND DEGREE BURN by Mike Lavallee	
FHTF2	TRUE FIRE 2 WITH 2ND DEGREE BURN BY MIKE LAVALLEE





Code	Description
TEXTURE FX SET	
FHTFX1	TEXTURE FX SET (ORGANIC, COSMIC, MASTER)
TEXTURE FX 2 by Gerald Mendez	
FHTFX2	TEXTURE FX 2
CARBON FIBER™ FX by Chris Cruz	
FHCFX1	CARBON FIBER FX TEMPLATE SET BY CHRIS CRUZ
WOOD GRAIN FX TEMPLATE by Dennis Mathewson	
FHWGFX1	WOOD GRAIN FX TEMPLATE BY DENNIS MATHEWSON
TIKI MASTER by Dennis Mathewson	
FHTM1	TRIBAL TIKI TEMPLATE
FHTM2	KONA TIKI TEMPLATE
FHTM3	TIKI TROUBLE TEMPLATE
FHTM4	TIKI BAR TEMPLATE
FHTM5	TOTEM TIKI TEMPLATE
FHTM6	ALOHA SPIRIT TEMPLATE
FHTM7	TIKI MASTER SET TEMPLATE
TIKI MASTER II by Dennis Mathewson	
FHTM8	TROPICAL TRIBALS TEMPLATE
FHTM9	HULA SPIRIT TEMPLATE
FHTM10	TWO FACE TIKI TEMPLATE
FHTM11	TIKI JOE TEMPLATE
FHTM12	FREAKIN" TIKIS TEMPLATE
FHTM13	LEILANI TEMPLATE
FHTM14	TIKI MASTER II COMPLETE SET
TRIBAL MASTER® SET by Steve Vandemon	
FHTRM1	NEW TRIBAL MASTER SET
TRIBAL MASTER® II CORNERED by Steve Vandemon	
FHTRM2	TRIBAL MASTERS II CORNERED BY STEVE VANDEMON
BIOMECH FX by Mike Lavallee	
FHBMFX1	BIOMECH FX SKULL BUSTER BY MIKE LAVALLE
FHBMFX2	BIOMECH FX SPINAL TRAP BY MIKE LAVALLE
VIKING FX by Craig Fraser	
FHVKFX1	VIKING FX RUNES BY CRAIG FRASER
FHVKFX2	VIKING FX VAHALLA BY CRAIG FRASER
FHVKFX3	VIKING FX BERZERKER BY CRAIG FRASER
FHVKFX4	VIKING FX DRAUGAR BY CRAIG FRASER
FHVKFX5	VIKING FX SET BY CRAIG FRASER
ZAZZO MAKE UP MASTERS BEAUTY ENSEMBLE by Bradley M. Look	
MFx1	ZAZZO BEAUTY ENSAMBLE
ZAZZO MAKE UP MASTERS CHARACTER TROUPE by Bradley M. Look	
MFx2	CHARACTER TROUPE
NANO SERIES	
FHNS3	NANO SERIESS TRUE FIRE SET BY MIKE LAVALLEE
FHNS1	CRAIG FRASER - SKULLOPHENIA NANOS TEMPLATE
FHNS2	CRAIG FRASER - DRACO NANOS TEMPLATE
FHNS4	ISLAND FX NANO SERIESS BY DENNIS MATHEWSON
FHNS5	KANJI MOTTO NANO SERIESS BY DENNIS MATHEWSON
FHNS6	TIKIVILLE NANO SERIESS BY DENNIS MATHEWSON



Code	Description
MINI SERIES	
FHFOR5MS	FLAME O RAMA MINI SET
FHFX321MS	FX3 MINI SERIESS BY CRAIG FRASER
FHFX428MS	TEMPLATE FX4 MINISERIESS SET BY CRAIG FRASER
FHKFX7MS	KUSTOM FX MINI SET
FHKFX21MS	KUSTOM KULTURE MINI SET
FHKM7MS	KANJI MASTER MINI SET
FHPRY7MS	TEMPLATE PIRACY ALL SIX MINI SERIESS BY CRAIG FRASER
FHPUGMS	PIN UP GIRLIES MINI SET
FHPUGIIMS	PIN UP GIRLIES 2 MINI SET
FHSGMS	SAILOR GIRLIES MINI SET
FHSK15MS	CURSE OF SKULL MINI SET
FHSK20MS	RETURN OF SKULL MINI SET
FHSK24MS	HORROR OF SKULL MINI SET
FHSK32MS	CRAIG FRASER - WRATH OF SKULLMASTER - MINI SERIESS
FHSK4MS	SKULL MASTER MINI SET
FHSK9MS	SON OF SKULL MINI SET
FHTF1MS	TEMPLATE TRUE FIRE MINI SERIESS
FHSPFX7MS	MINI SERIESS OF STEAMPUNK
FHTFX1MS	TEXTURE FX SET MINI SERIESS
FHTFX2MS	TEXTURE FX 2 MINI SERIESS
FHTM14MS	TIKI MASTER II MINI SET
FHTM7MS	TIKI MASTER MINI SET
FHFxII14MS	FXII MINI SET V. VIMFHFxII14MS
FHFOR212MS	FLAME O RAMA 2 MINI SET
FHVKFX5MS	VIKING FX MINI SET BY CRAIG FRASER
FHSM4MS	SPIDER MASTER MINI SET BY CRAIG FRASER
FHSDSK4MS	STEAM DRIVEN MINI SERIESS SET BY CRAIG FRASER
FHSPFX25MS	STEAMPUNK FX2 MINI SERIESS SET BY CRAIG FRASER
FHPTR5MS	PATRIOTICA MINI SET
VHS, DVD & PUBLICATIONS	
FHTFDVD	MIKE LAVALLE'S TRUE FIRE DVD ONLY
MFxDVD1	MAKEUP FX DVD 70 MINS.
NBDCOSDVD	INTRODUCTION OF AIRBRUSH MAKEUP DVD
NAV101	NAIL ART - GETTING STARTED DVD
VT010DVD	BASIC AUTO AIRBRUSHING - P. SHANTEAU
VT020DVD	BASIC TAIL GATE AIRB. - P. SHANTEAU
VT030DVD	BASIC GAS TANK AIRB. - P. SHANTEAU
VT040	ULTIMATE AIRBRUSH HANDBOOK BY PAMELA SHANTEAU
VT060	AUTOMOTIVE CHEAP TRICKS & SPECIAL F/X II BY CRAIG FRASER BOOK
VT070	ROBERT PASCHAL - BASIC AIRBRUSH TECHNIQUES BOOK
VT100	BASIC AIRBRUSH TECHNIQUES W/ DAVE MALONE
VT1200	MIKE LAVALLE'S TRUE FIRE - PART 1 - DVD
VT200	INTERMEDIATE AIRBRUSH TECHNIQUES W/ DAVE MALONE
VT700	MASTERING SKULL MASTER W/ CRAIG FRASER
VT800	AIRBRUSH GLASS PAINTING BY RAFAEL SCHNEPP
VT075	BASIC AIRBRUSH TECHNIQUES EXERCISE KIT



BOOKS



VIDEOS

Masking Films

MASKING FILMS

Code	Description
STRETCH MASKS TRANSPARENT FILM for MASKING	
F101	ARTOOL STRETCH MASK 18" X 10 YDS
F102	ARTOOL STRETCH MASK 18" X 25 YDS
ART MASKS	
F201	ARTOOL ART MASK 18" X 10 YDS
F202	ARTOOL ART MASK 18" X 25 YDS
MATTE FILM	
F311	MATTE FILM 24" X 20" SHEET 5 / 10 SHEET PACKS
GLOSS FILMS	
F404	GLOSS FILM 24" X 10YD/ 6 PER CARTON
F410	GLOSS FILM 15" X 10 SHEET 10 / 8 SHEET PACKS V. VIMF410
F411	GLOSS FILM 24" X 20 SHEET 5 / 10 SHEET PACKS V. VIMF411
HOBBY MASKS	
HM1	ARTOOL HOBBY MASK 6" X 10 YDS
HM2MS	ARTOOL HOBBY MASK MINI SERIESS
CUTTING RAILS	
CR6	STANDARD 6 INCH CUTTING RAIL
CR15	STANDARD 15 INCH CUTTING RAIL
CR18	STANDARD 18 INCH CUTTING RAIL
CR24	STANDARD 24 INCH CUTTING RAIL
CR30	STANDARD 30 INCH CUTTING RAIL
CR36	STANDARD 36 INCH CUTTING RAIL
CUTTERS	
NAT700	MASKING KNIFE
NAT705	MASKING KNIFE BLADES (5 PK)
NAT715	MASKING KNIFE BLADES (15 PK)
CUTTING MATS	
FFCMA1/FT	24" X 36" (60 X 90 CM) TRANSLUCENT
FFCMA2/FT	18" X 24" (45 X 60 CM) TRANSLUCENT
FFCMA3/FT	12" X 18" (30 X 45 CM) TRANSLUCENT
FFCMA/1OG	24" X 36" (60 X 90 CM) GREEN/BLACK
FFCMA/2OG	18" X 24" (45 X 60 CM) GREEN/BLACK
FFCMA/3OG	12" X 18" (30 X 45 CM) GREEN/BLACK
FFCMA/4OG	8.5" X 12" (22 X 30 CM) GREEN/BLACK
HOT MATZ™	
FFCMA3/BG	HOT MATZ CUTTING MATZ 12" X 18" (30 X 45 CM) BLACK/GREEN
ARTIST BRIDGES	
MRC12	CLEAR ACRYLIC ARTIST BRIDGE 12"
MRC18	CLEAR ACRYLIC ARTIST BRIDGE 18"

STRETCHmask™
Adhesive-Backed Masking Film



Artmask™
Adhesive-Backed Masking Film



Hobby Mask™
Adhesive-Backed Masking Film



CUTTINGRAIL
Patent No. D360,149



Double-Colored and Translucent
CUTTING MATS



HOT MATZ
GET 2 COLORS IN 1 HOT MAT!



ARTIST BRIDGE
Patent No. D368,929 Made in USA.



Spare Parts List

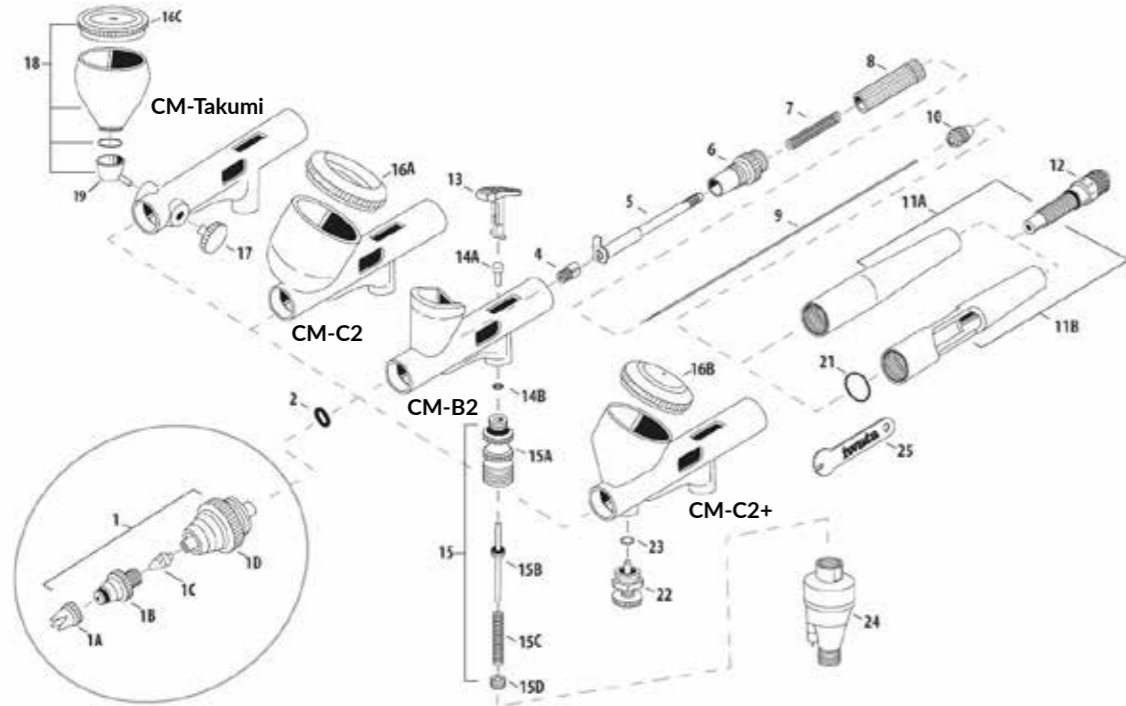


Spare Parts List

CUSTOM MICRON2 Series

CM-C2 Plus / CM-C2 / CM-B2 / CM-TAKUMI / CM-SB2

Custom Micron AIRBRUSH SERIES



Testine		C2	C2	C1	C1	C1
Modelli		CM-C2+	CM-C2	CM-B2	CM-TAKUMI	CM-SB2
Codice	Descrizione					
I5351	Fluid Head System C1			x	x	x
I5352	Fluid Head System C2	x	x			
I5351D	Needle Crown Cap	x	x	x	x	x
I5351C	Nozzle Cap C1			x	x	x
I5352C	Nozzle Cap C2	x	x			
I5351B	Fluid Nozzle C1			x	x	x
I5352B	Fluid Nozzle C2	x	x			
I5351A	Head Cap	x	x	x	x	x
I5802	O Ring	x	x	x	x	x
I5902	Fluid Needle Packing (PTFE)	x	x	x	x	x
I1157	Needle Chucking Guide	x	x	x	x	x
I1151	Needle Chucking Guide	x	x			
I5903	Spring Guide	x	x	x	x	x
I5701	Needle Spring	x	x	x	x	x
I5751	Needle Spring Adjustment	x	x	x	x	x
I5404	Fluid Needle C1			x		x
I5406	Fluid Needle C1				x	
I5402	Fluid Needle C2		x			
I5403	Fluid Needle C2	x				
I5601	Needle Chucking Nut	x	x	x	x	x
I5854	Preset Cap Handle Set		x	x	x	x
I5855	Preset Cap Handle Set	x			x	
I5861	Preset Cap Handle w/Crown Cap Dock	x	x	x	x	x
I5454	Main Lever	x	x	x	x	x
I5001	Piston	x	x	x	x	x
I5801	O-ring	x	x	x	x	x
I5101	Air valve set	x	x	x	x	x
I5102	Air valve body	x	x	x		x
I5051	Air valve	x	x	x		x

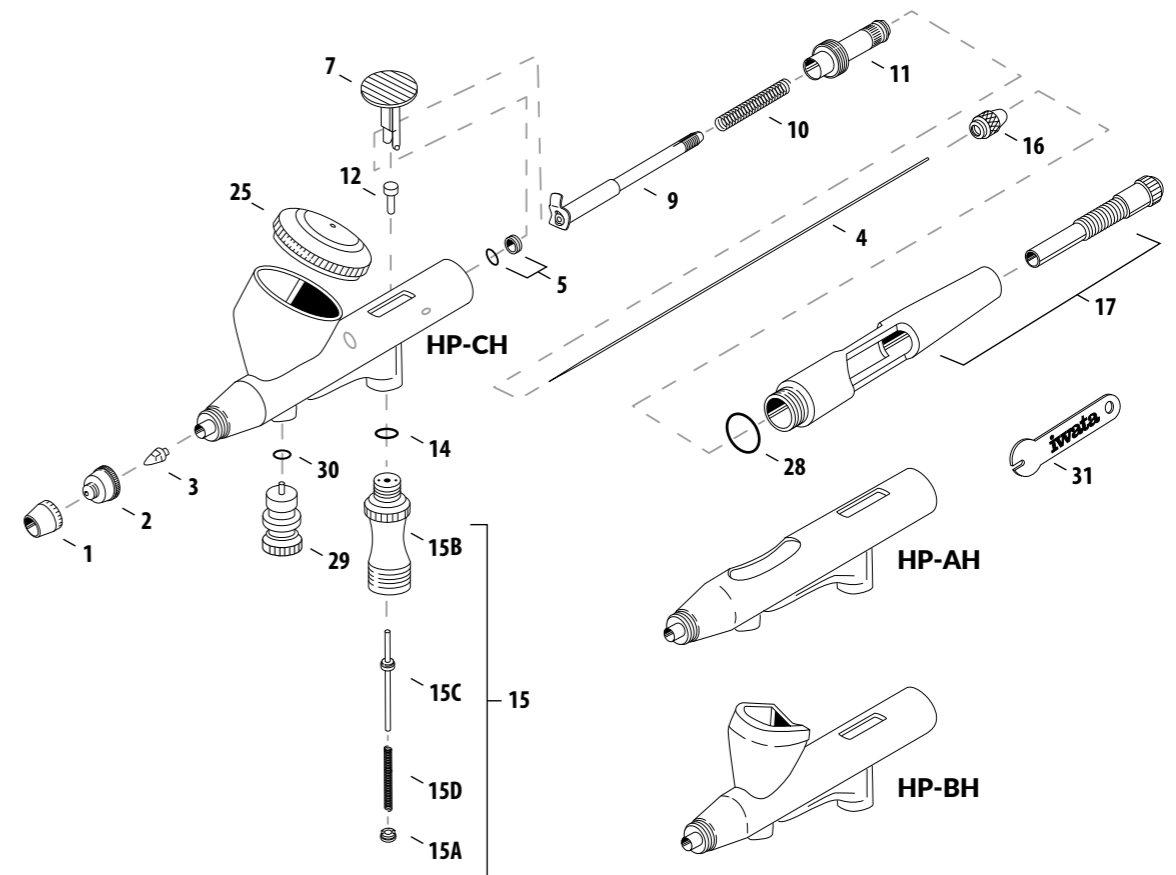
Head system		C2	C2	C1	C1	C1
Models		CM-C2+	CM-C2	CM-B2	CM-TAKUMI	CM-SB2
Code	Description					
I5104	Air valve spring	x	x	x		x
I5103	Air valve guide	x	x	x		x
I5301	Lid cup (0.24 oz / 7 ml)	opt.	x			
I6181	Lid cup (0.24 oz / 7 ml)	x	opt.			
I6187	Lid cup (0.24 oz / 7 ml)					x
I6188	Lid cup (0.10 oz / 3 ml)					x
I0452	Blancking cover					x
I0703	Side cup (0.05 oz / 1.50 ml)					x
I0704	Side cup (0.24 oz / 7 ml)					x
I0710	Cup set (0.24 oz / 7 ml)					x
I0711	Cup set (0.10 oz / 3 ml)					x
I0700	Cup adapter					x
I1505	Lid Packing					x
I0957	Lower lid cup					x
I6051	O-ring	x				
I1901	Air control valve	x				
I1902	O-ring	x				
FA450	Pistol Grip Filter	x	x	x	x	x
I1651	Spanner	x	x	x	x	x
I1603	Quick Fit set (Qd & Adaptor)	opt.	opt.	opt.	opt.	opt.
I1604	Quick Fit Adaptor	opt.	opt.	opt.	opt.	opt.
J001	Adaptor (Iwata Airbrushes to Paasche air hose)	opt.	opt.	opt.	opt.	opt.
J002	Adaptor Iwata Airbrushes to T&C/Badger	opt.	opt.	opt.	opt.	opt.

Spare Parts List

HI LINE Series

HP-AH / HP-BH / HP-CH

Hi-Line AIRBRUSH SERIES



Head system		H2	H2	H3
Models		HP-AH	HP-BH	HP-CH
Code	Description			
I1101	Needle Cap H2	x	x	
I1102	Needle Cap H3			x
I1401	Nozzle Cap H2	x	x	
I1403	Nozzle Cap H3			x
I0807	Fluid Nozzle H2	x	x	
I0808	Fluid Nozzle H3			x
I0751	Fluid Needle H2	x	x	
I0753	Fluid Needle H3			x
I7251	Fluid Needle Packing set (PTFE)			x
I1257	Fluid Needle Packing set (PTFE)	x	x	
I1002	Main Lever	x	x	x
I1157	Needle Chucking Guide	x	x	
I1151	Needle Chucking Guide			x
I1352	Needle Spring	x	x	
I1351	Needle Spring			x
I7701	Needle Guide	x	x	x
I1751	Piston	x	x	x
I1451	Air valve packing	x	x	x
I0301	Air valve set	x	x	
I0304	Air valve set			x

Head system		H2	H2	H3
Models		HP-AH	HP-BH	HP-CH
Code	Description			
I0251	Air valve guide	x	x	x
I0201	Air valve body	x	x	x
I0151	Air valve	x	x	
I0153	Air valve			x
I0351	Air valve spring	x	x	x
I1201	Needle Chucking Nut	x	x	x
I1556	Preset Cap Handle Set	x	x	x
I6181	Lid cup (0.24 oz / 7 ml)			x
I6051	O-ring	x	x	x
I1901	Air control valve	x	x	x
I1902	O-ring	x	x	x
I1651	Spanner	x	x	x
I1050	Head Crown Cap		opt.	opt.
I1603	Quick Fit set (Qd & Adaptor)	opt.	opt.	opt.
I1604	Quick Fit Adaptor	opt.	opt.	opt.
J001	Adaptor (Iwata Airbrushes to Paasche air hose)	opt.	opt.	opt.
J002	Adaptor Iwata Airbrushes to T&C/Badger	opt.	opt.	opt.

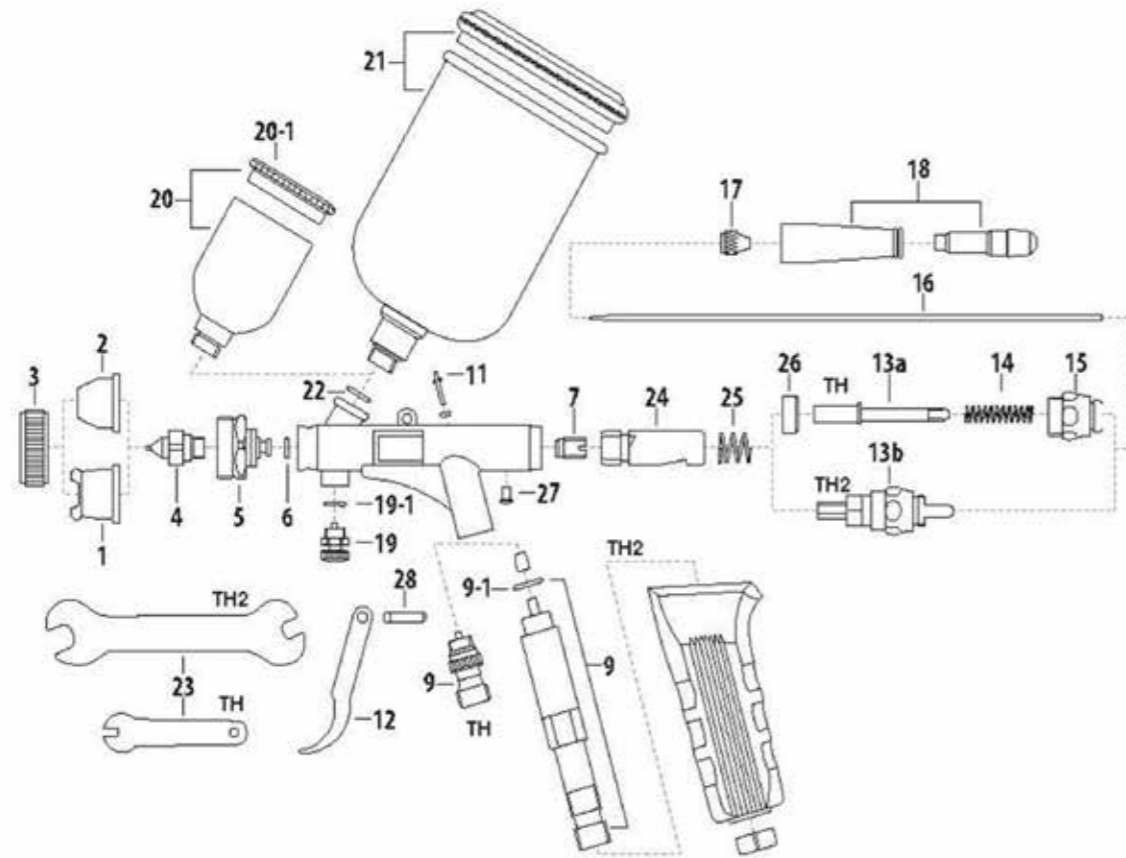
Spare Parts List

HI LINE Series with Trigger

HP-TH / HP-TH2

Hi-Line

AIRBRUSH SERIES



Head system		H5	H6
Models		HP-TH	HP-TH2
Code	Description		
I1105	Air cap (Fan Pattern)	x	
I1109	Air cap (Fan Pattern)		x
I1106	Air cap (Round Pattern)	x	
I1108	Air cap (Round Pattern)		x
I1107	Air cap cover	x	
I1110	Air cap cover		x
I0811	Nozzle	x	
I0812	Nozzle		x
I0821	Head Base	x	
I0822	Head Base		x
I0831	Head Base O-ring	x	x
I1258	Needle Packing Screw	x	x
I7121	Air Valve Set	x	
I7123	Air Valve Set		x
I6051	O-ring		x
I7132	Valve Rod	x	x
I7141	Trigger	x	x
I7152	Needle Chucking Guide	x	
I7150	Needle Chucking Assembly		x

Head system		H5	H6
Models		HP-TH	HP-TH2
Code	Description		
I7703	Needle Spring	x	
I1707	Needle Spring Guide	x	
I0757	Fluid needle	x	
I0758	Fluid needle		x
I1201	Needle Chucking Nut	x	x
I1559	Pre-set Handle Assembly	x	x
I1901	Micro Air Control (MAC) Valve Set	x	x
I1902	O-ring	x	x
I0708	Gravity Cup (0.50 oz / 15 ml)	x	x
I7182	Lid Cup (0.50 oz / 15 ml)	x	x
HPA-CB4M	Gravity Cup (5 oz / 150 ml)	x	x
I1507	Lid O-ring	x	x
I1651	Spanner	x	
I1653	Spanner		x
I7301	Slide Cam	x	x
I7302	Slide Cam Spring	x	x
I7311	Main Body Ring	x	
I7312	Main Body Ring Screw	x	
I7142	Trigger Stud	x	x

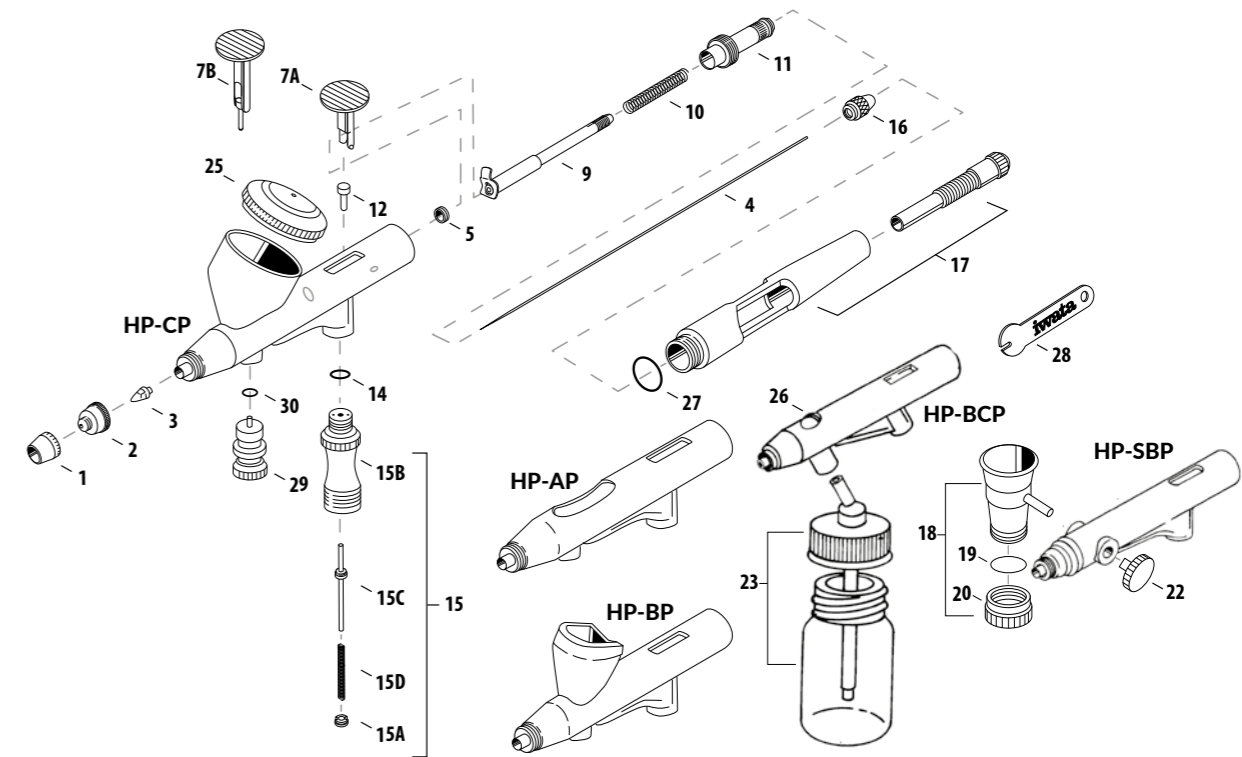
Spare Parts List

High Performance Plus Series

HP-AP / HP-BP / HP-CP / HP-SBP / HP-BCP

High Performance PLUS

AIRBRUSH SERIES



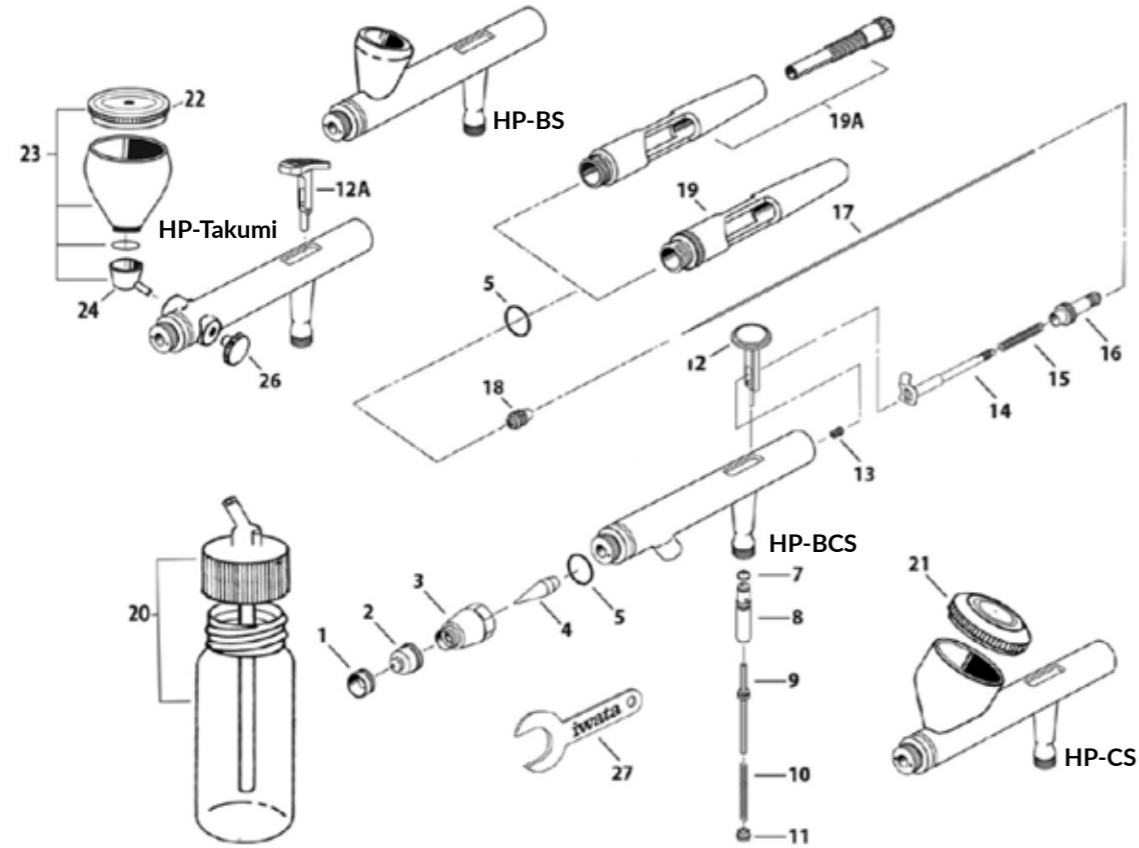
Head system		H2	H2	H3	H2	H3
Models		HP-AP	HP-BP	HP-CP	HP-SBP	HP-BCP
Code	Description					
I1101	Needle Cap H2	x	x		x	
I1102	Needle Cap H3			x		x
I1401	Nozzle Cap H2	x	x		x	
I1403	Nozzle Cap H3			x		x
I0807	Fluid Nozzle H2	x	x		x	
I0808	Fluid Nozzle H3			x		x
I0751	Fluid Needle H2	x	x		x	
I0753	Fluid Needle H3			x		x
I1257	Fluid Needle Packing (PTFE)	x	x		x	
I7251	Fluid Needle Packing (PTFE)			x		x
I1001	Main Lever	x	x		x	
I1002	Main Lever			x		
I1003	Main Lever					x
I1157	Needle Chucking Guide	x	x		x	
I1151	Needle Chucking Guide			x		x
I1352	Needle Spring	x	x		x	
I1353	Needle Spring			x		x
I1706	Needle Guide	x	x		x	
I7701	Needle Guide			x		x
I1751	Piston	x	x	x	x	x
I1451	Air valve packing	x	x	x	x	x
I0301	Air valve set	x	x		x	
I0304	Air valve set			x		x
I0251	Air valve guide	x	x	x	x	x
I0201	Air valve body	x	x	x	x	x
I0151	Air valve	x	x		x	
I0153	Air valve			x		x

Head system		H2	H2	H3	H2	H3
Models		HP-AP	HP-BP	HP-CP	HP-SBP	HP-BCP
Code	Description					
I0351	Air valve spring	x	x	x	x	x
I1201	Needle Chucking Nut	x	x	x	x	x
I1555	Preset Cap Handle Set	x	x		x	
I1556	Preset Cap Handle Set			x		x
I0703	Side cup (0.05 oz / 15 ml)				x	
I1505	Side cup Lid Packing				x	
I0957	Lower lid cup				x	
I0452	Blanking cover				x	
I4052	Glass bottle (0.68 oz / 20 ml)					x
I6181	Lid Cup (0.24 oz / 7 ml)			x	x	
I0451	Blanking cover					x
I6051	O-ring	x	x	x	x	x
I1651	Spanner	x	x	x	x	x
I1951	Conversion kit (from 0.3 mm to 0.4 mm)			x		x
I1050	Crown cap	opt.	opt.	opt.	opt.	opt.
I1603	Quick Fit set (Qd & Adaptor)	opt.	opt.	opt.	opt.	opt.
I1604	Quick Fit Adaptor	opt.	opt.	opt.	opt.	opt.
J001	Adaptor (Iwata Airbrushes to Paasche air hose)	opt.	opt.	opt.	opt.	opt.
J002	Adaptor Iwata Airbrushes to T&C/Badger	opt.	opt.	opt.	opt.	opt.
I4501S	Side cup 1oz - Clear				x	
I4502S	Side cup 2oz - Clear				x	
I4701S	Side cup 1oz - HS				x	
I4702S	Side cup 2oz - HS				x	

Spare Parts List

ECLIPSE Series

HP-BS / HP-CS / HP-SBS / HP-TAKUMI / HP-BCS



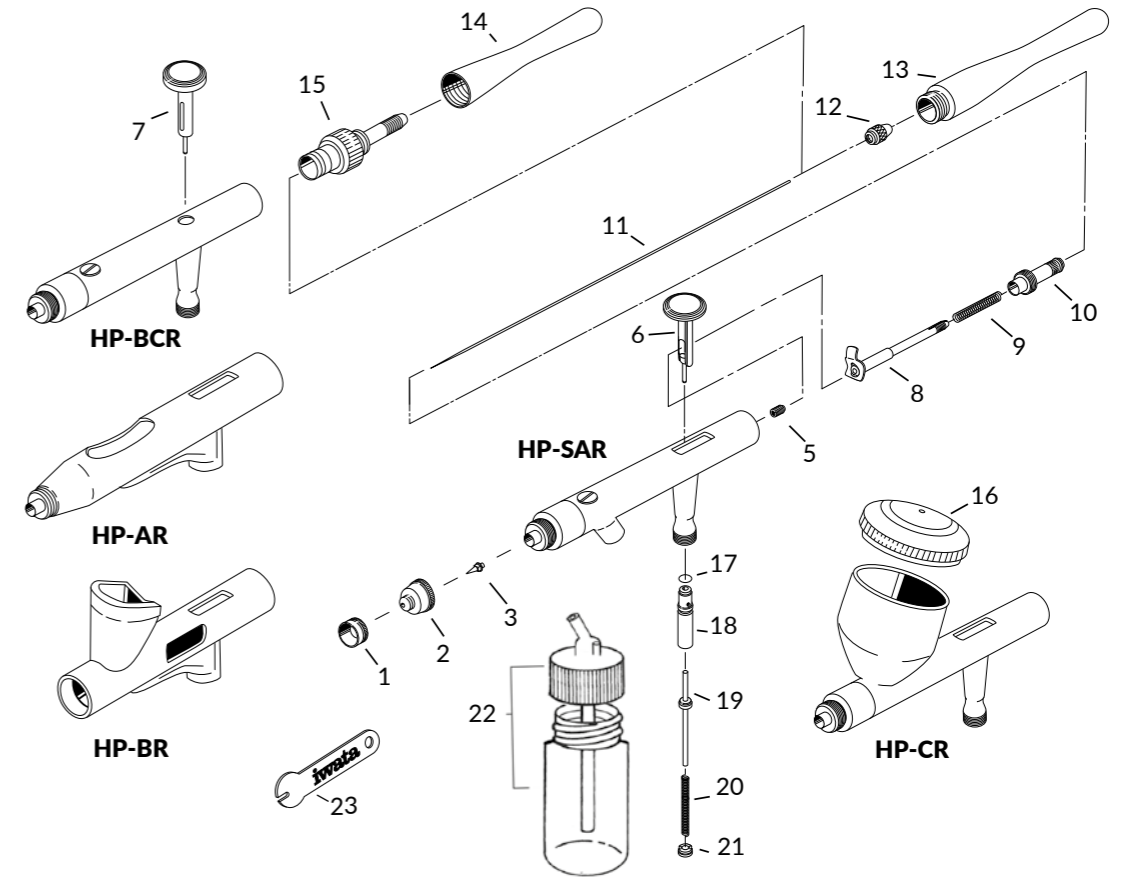
Head system		E3	E3	E5	E3	E3
Models		HP-BS	HP-CS	HP-BCS	HP-TAKUMI	HP-SBS
Code	Description					
I6011	Needle Cap	x	x	x		x
I1050	Crown Cap				x	
I6021	Nozzle Cap E5			x		
I6022	Nozzle Cap E3	x	x		x	
I6031	Head Cap	x	x	x	x	x
I6041	Nozzle set E5			x		
I6042	Nozzle set E3	x	x		x	x
I6051	O-ring	x	x	x	x	x
I5801	O-ring	x	x	x	x	x
I6081	Air valve guide	x	x	x	x	x
I6091	Air valve	x	x	x	x	x
I5104	Air valve Spring	x	x		x	x
I6111	Air valve guide screw	x	x	x	x	x
I6121	Main Lever	x	x	x	x	x
I6124	Main Lever				x	
I7251	Fluid Needle Packing (PTFE) (0.3 mm)	x	x	x	x	x
I1257	Fluid Needle Packing (PTFE) (0.5 mm)	x	x	x		x
I1151	Needle Chucking Guide	x	x	x	x	x
I1351	Needle Spring	x	x		x	x
I1352	Needle Spring			x		
I1702	Spring guide	x	x	x	x	x
I6171	Needle set E5			x		
I6172	Needle set E3	x	x			x
I6176	Needle set E3				x	

Head system		E3	E3	E3	E3	E5
Models		HP-BS	HP-CS	HP-BCS	HP-TAKUMI	HP-SBS
Code	Description					
I1202	Needle Chucking Nut	x	x	x	x	x
I1201	Needle Chucking Nut	x	x	x		x
I6191	Single Cut Handle	x	x	x	x	x
I1552	Preset Handle	opt.	opt.	opt.	opt.	opt.
I1556	Preset Handle	opt.	opt.	opt.	x	opt.
A4702	Bottle set (2 oz / 60 ml)			x		
I6181	Lid Cup (0.24 oz / 7 ml)		x			
I6187	Lid Cup (0.24 oz / 7 ml)				x	
I0710	Side Cup (0.24 oz / 7 ml)				x	
I0700	Side Cup Adaptor				x	
I0452	Blanking cover				x	x
I6301	Eclipse Serie Spanner	x	x	x	x	x
I0703	Side Cup (0.05 oz / 1.50 ml)					x
I0704	Side Cup (0.24 oz / 7 ml)					opt.
I0957	Lower lid					x
I1505	Lower Lid Packing					x
I1603	Quick Fit set (Qd & Adaptor)	opt.	opt.	opt.	opt.	opt.
I1604	Quick Fit Adaptor	opt.	opt.	opt.	opt.	opt.
J001	Adaptor (Iwata Airbrushes to Paasche air hose)	opt.	opt.	opt.	opt.	opt.
J002	Adaptor Iwata Airbrushes to T&C/Badger	opt.	opt.	opt.	opt.	opt.

Spare Parts List

Revolution Series

HP-AR / HP-BR / HP-CR/ HP-CR3 /HP-SAR / HP-BCR



Head system		R3	R3	R5	R3	R5	R5
Models		HP-AR	HP-BR	HP-CR	HP-CR3	HP-SAR	HP-BCR
Code	Description						
I7011	Needle Cap R5			x		x	x
I7012	Needle Cap R3	x	x		x		
I7021	Nozzle Cap R5			x		x	x
I7022	Nozzle Cap R3	x	x		x		
I7041	Nozzle set R5			x		x	x
I7042	Nozzle set R3	x	x		x		
I1257	Fluid Needle Packing (PTFE)	x	x		x		
I7251	Fluid Needle Packing (PTFE)			x		x	x
I6121	Main Lever	x	x	x	x	x	x
I6122	Main Lever					x	
I1157	Needle Chucking Guide	x	x		x		
I1151	Needle Chucking Guide			x			x
I1351	Needle Spring	x	x	x	x		x
I7701	Needle Guide	x	x	x	x		x
I6171	Needle set R5			x		x	x
I7173	Needle set R3	x	x		x		

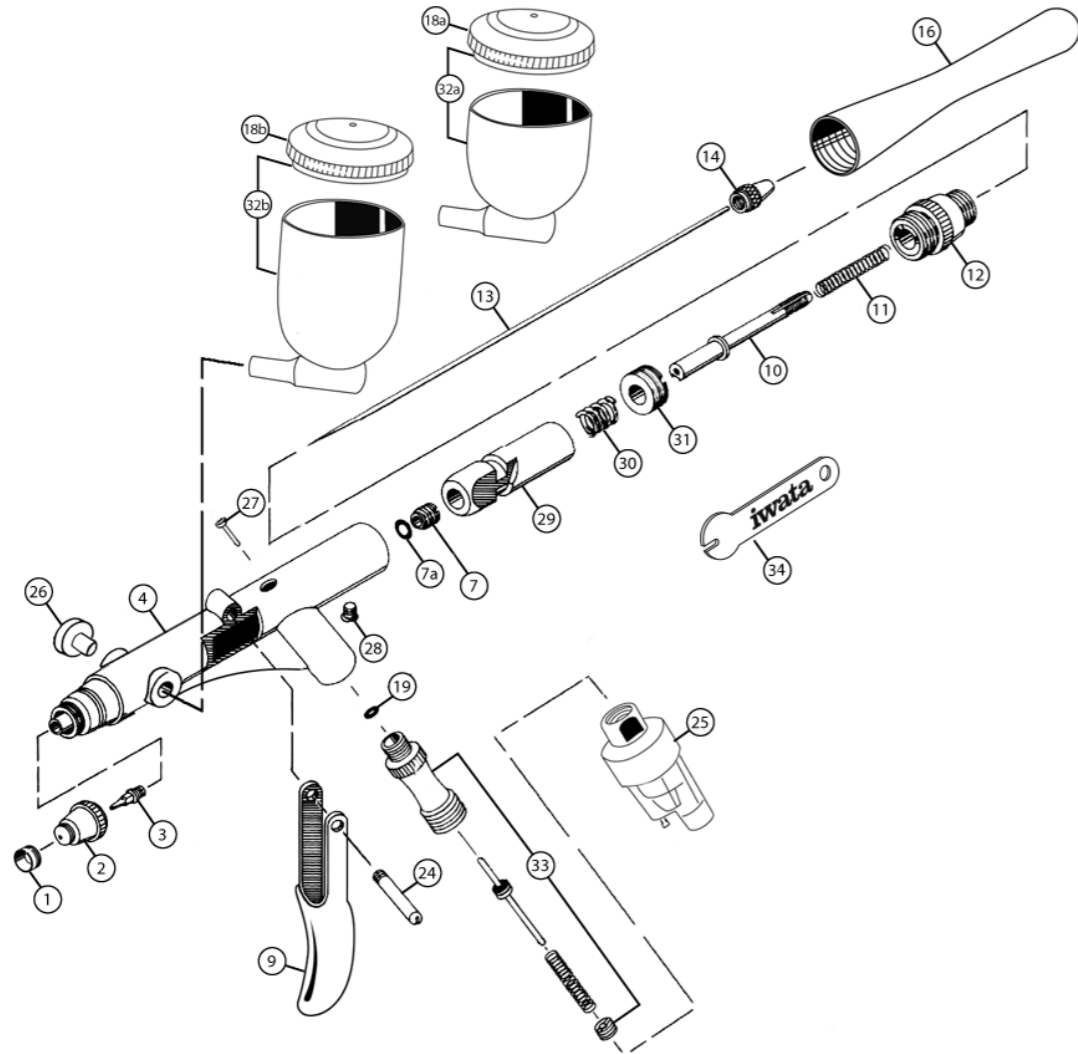
Head system		R3	R3	R5	R3	R5	R5
Models		HP-AR	HP-BR	HP-CR	HP-CR3	HP-SAR	HP-BCR
Code	Description						
I1201	Needle Chucking Nut	x	x	x		x	x
I1202	Needle Chucking Nut	x	x	x	x	x	x
I7191	Ergonomic Handle	x	x	x	x		x
I1552	Preset Handle	opt.	opt.	opt.	opt.		opt.
I1556	Preset Cut-Away Handle	opt.	opt.	opt.	opt.		opt.
I7221	Fluid Adjustment Knob						x
I6181	Lid Cup (0.24 oz / 7ml)			x	x		
I5801	O-ring	x	x	x	x	x	x
I6081	Air Valve Guide	x	x	x	x	x	x
I6091	Air Valve	x	x	x	x	x	x
I0351	Air Valve Spring	x	x	x	x	x	x
I6111	Air Valve Guide Screw	x	x	x	x	x	x
A4701	Bottle (1 oz / 30 ml)					x	
I1651	Spanner	x	x	x	x	x	x

Spare Parts List

Revolution Series with Trigger

HP-TR1 / HP-TR2

Revolution
AIRBRUSH SERIES



Head system		N3	N5
Models		HP-TR1	HP-TR2
Code	Description		
I7011	Needle Cap N5		x
I7012	Needle Cap N3	x	
I7022	Nozzle Cap N3	x	
I7021	Nozzle Cap N5		x
I7042	Nozzle set N3	x	
I7041	Nozzle set N5		x
I7252	Needle Packing Screw	x	x
I7253	Fluid Needle Packing (PTFE)	x	x
I7141	Trigger	x	x
I7152	Needle Chucking Guide	x	x
I7703	Spring	x	x
I7702	Spring Guide	x	x
I7174	Needle Set N3	x	
I7175	Needle Set N5		x
I1202	Needle Chucking Nut	x	x

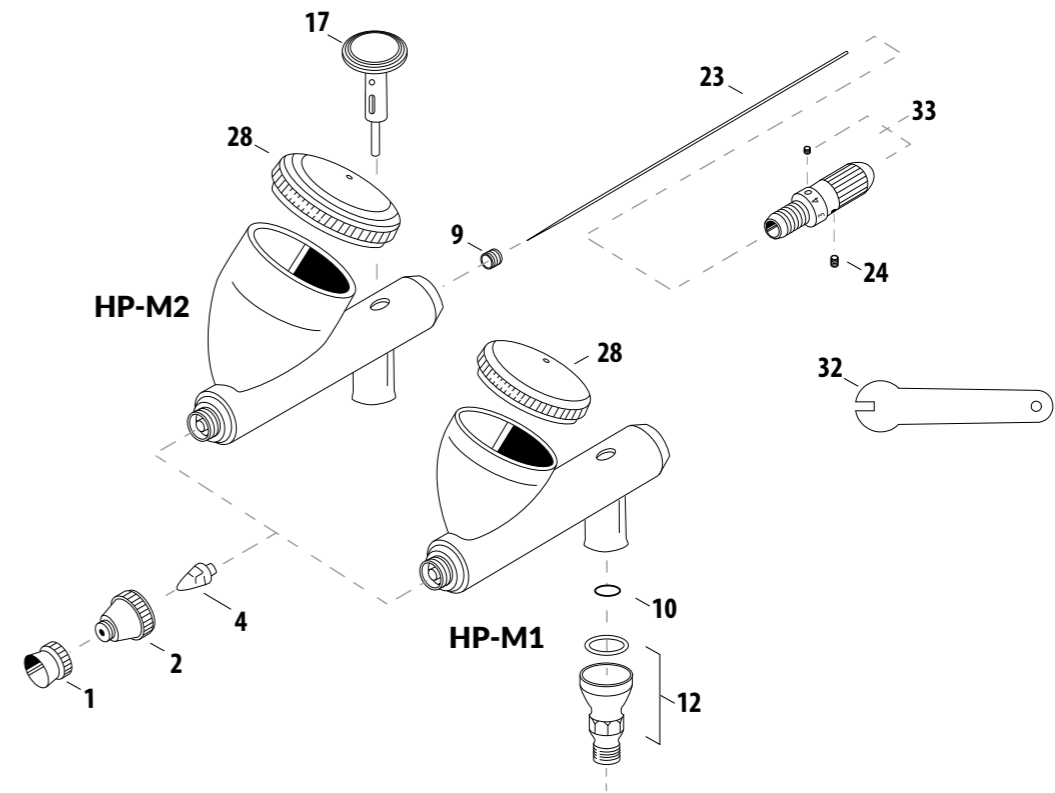
Head system		N3	N5
Models		HP-TR1	HP-TR2
Code	Description		
I6181	Lid Cup (0.24 / 7 ml)	x	
I7182	Lid Cup (0.50 oz / 15 ml)		x
I1451	Air Valve Packing	x	x
I7142	Trigger Stud	x	x
FA450	Pistol Grip Filter	x	x
I0452	Blanking cover	x	x
I7131	Air Valve Rod	x	x
I7312	Screw	x	x
I7301	Slide Cam	x	x
I7302	Slide Cam Spring	x	x
I7311	Main Body Ring	x	x
I7201	Side Gravity Cup (0.24 / 7ml)	x	opt.
I0706	Side Gravity Cup (0.50 oz / 15 ml)	opt.	x
I7121	Air Valve Set	x	x
I1651	Spanner	x	x

Spare Parts List

Revolution Mini Line Series

HP-M1 / HP-M2

Revolution
AIRBRUSH SERIES

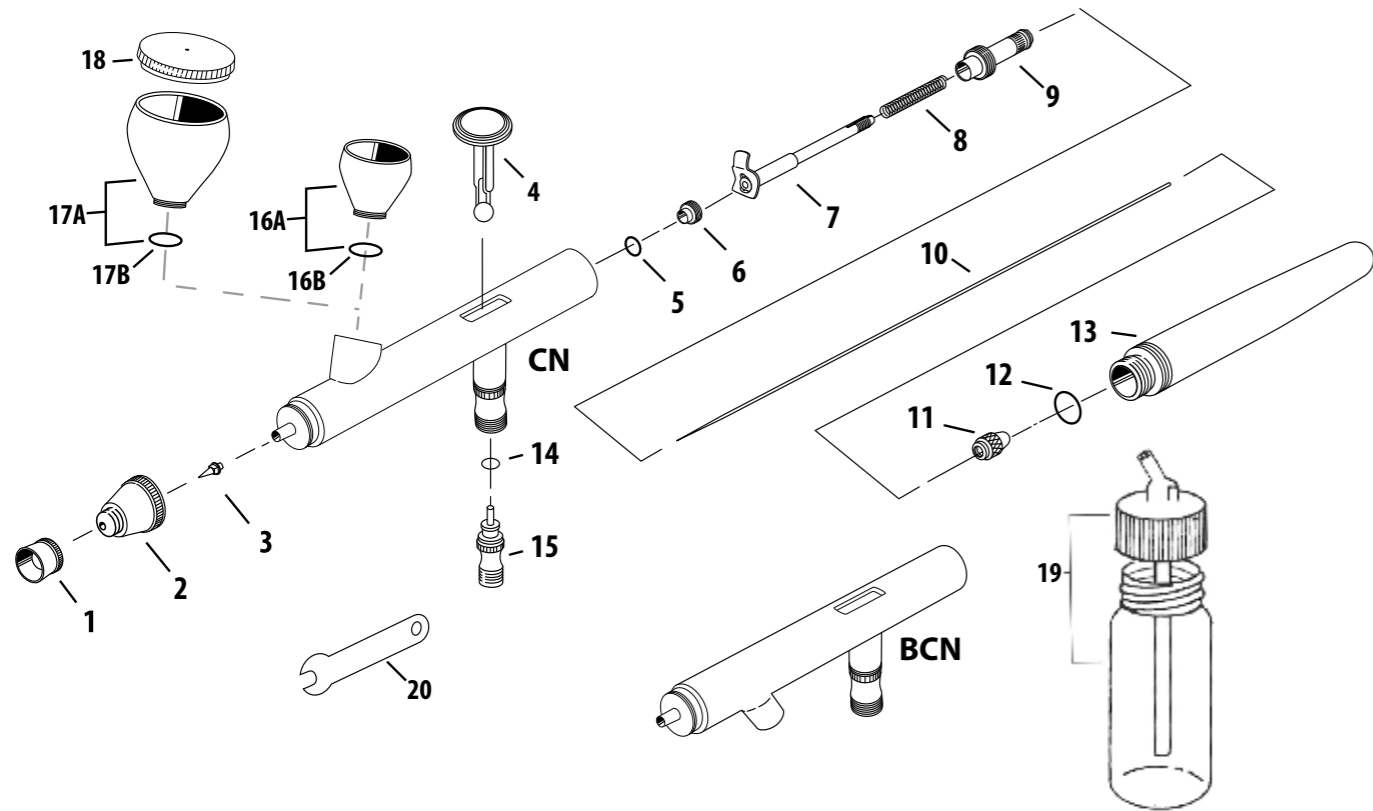


Head system		M3	M4
Models		HP-M1	HP-M2
Code	Description		
I7014	Needle Cap M3	x	
I7015	Needle Cap M4		x
I7024	Nozzle Cap M3	x	
I7025	Nozzle Cap M4		x
I7044	Nozzle set M3	x	
I7045	Nozzle set M4		x
I7251	Fluid Needle Packing (PTFE)	x	x
I1451	Piston O-ring	x	x
I7122	Air Valve set	x	x
I7143	Main Lever	x	x
I7176	Needle Set M3	x	
I7177	Needle Set M4		x
I7153	Needle Chucking Nut	x	x
I7183	Lid Cup	x	
I6181	Lid Cup (0.24 oz / 7 ml)		x
I7222	Fluid Adjustment Valve	x	x
I1651	Spanner	x	x

Spare Parts List

NEO Series

HP-CN/ HP-BCN



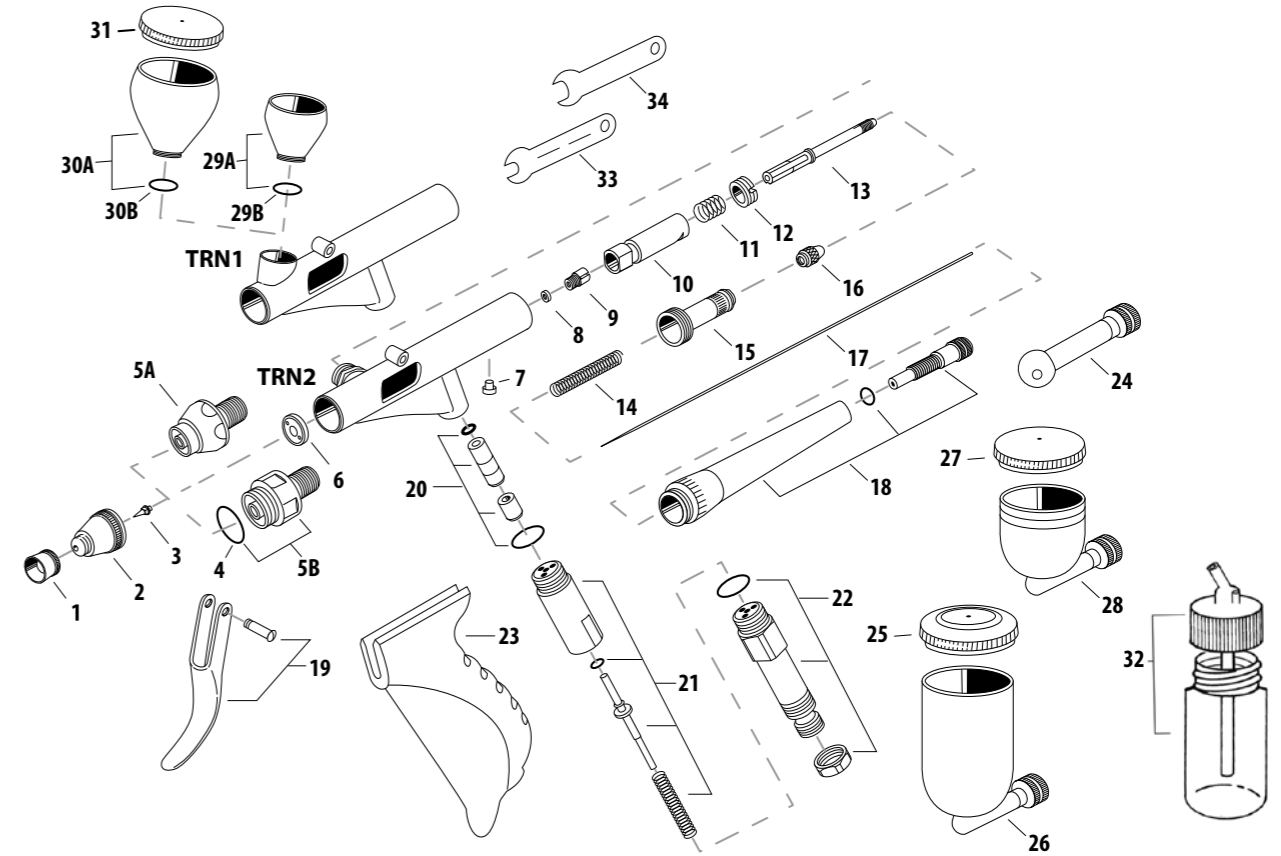
Head system		N3	N5		
Models		HP-CN	HP-BCN	Ref.	*SMP
Code	Description				
N1101	Needle Cap	x	x	1	12,00
N1401	Nozzle Cap N3	x		2	12,00
N1402	Nozzle Cap N5		x	2	12,00
N0801	Nozzle Set N3	x		3	22,40
N0802	Nozzle Set N5		x	3	22,40
N1001	Main Lever	x	x	4	12,00
N1501	O-ring	x	x	5	12,00
N1251	Needle Packing Screw	x	x	6	12,00
N1151	Needle Chucking Guide	x	x	7	12,00
N1351	Needle Spring	x	x	8	12,20
N1701	Spring Guide	x	x	9	12,00
N0751	Needle Set N3	x		10	12,00
N0752	Needle Set N5		x	10	12,00

Head system		N3	N5		
Models		HP-CN	HP-BCN		
Code	Description				
N1201	Needle Chucking Nut	x	x		
N1051	O-ring	x	x		
N0901	Handle	x	x		
N1502	O-ring	x	x		
N0201	Air valve Set	x	x		
N0701	Gravity Cup (0.10 oz/3 ml)	x			
N0712	Gravity Cup O-ring (0.10 oz/3 ml)	x			
N0702	Gravity Cup (0.24 oz 7 ml)	x			
N0951	Gravity Cup (0.24 oz 7 ml)	x			
A4702	Bottle (2 oz/60 ml)				opt.
I4701	Bottle (1 oz/30 ml)				x
I1651	Spanner	x	x		

Spare Parts List

NEO Series with Trigger

HP-TRN1 / HP-TRN2



Head system		N3	N5		
Models		HP-TRN1	HP-TRN2		
Code	Description				
N1102	Needle Cap	x	x		
N1404	Nozzle Cap N5		x		
N1403	Nozzle Cap N3	x			
N0804	Nozzle Set N5		x		
N0803	Nozzle Set N3	x			
N1504	Nozzle Cap O-ring N5		x		
N1353	Head base	x			
N1354	Head base		x		
N1505	Head base O-ring	x	x		
N1312	Main Body Ring Screw	x	x		
N1507	Needle Packing O-ring	x	x		
N1252	Needle Packing Set	x	x		
N1301	Slide Cam	x	x		
N1302	Slide Cam Spring	x	x		
N1311	Main Body Ring	x	x		
N1152	Needle Chucking Guide	x	x		
N1352	Needle Chucking Spring	x	x		
N1702	Spring Guide	x	x		
N1202	Needle Chucking Nut	x	x		
N0754	Needle Set N5		x		
N0753	Needle Set N3	x			

Head system		N3	N5		
Models		HP-TRN1	HP-TRN2		
Code	Description				
N0902	Handle Cap Set	x	x		
N1002	Trigger W/ Trigger Stud	x	x		
N0101	Piston set	x	x		
N0202	Air Valve Set	x	x		
N1601	Grip/Mount Extension	x	x		
N1602	Grip	x	x		
N0401	Bottle Adapter	x			
N0952	Side Cup Lid (0.50 oz/ 15 ml)	x			
N0706	Side Cup (0.50 oz/ 15 ml)	x			
N0953	Side Gravity Cup Lid (0.24 oz/ 7 ml)	x			
N0705	Side Gravity Cup (0.24 oz/ 7 ml)	x			
N0701	Gravity Cup (0.10 oz/ 3.0 ml)				x
N0712	Gravity Cup O-ring				x
N0702	Gravity Cup (0.24 oz / 7 ml)	x	x		
N0954	Gravity Cup lid (0.24 oz/ 7 ml)				x
I4701	Bottle set (1 oz/ 30 ml)				x
N1651	Spanner				x
N1652	Spanner	x			



iwata
by ANEST IWATA

PRODUCTS
ARTOOL
COMPANY, INC.

Medea

AIRBRUSHES & COMPRESSORS Price List 2024 - Edition: October 2023