

TC45 PRO2

TYRE CHANGER

BEISSBARTH

HIGH VOLUME SERVICE

TC45 Pro2: Changing passenger car tyres up to 27" in tyre shops



Turntable with automatic centering jaws

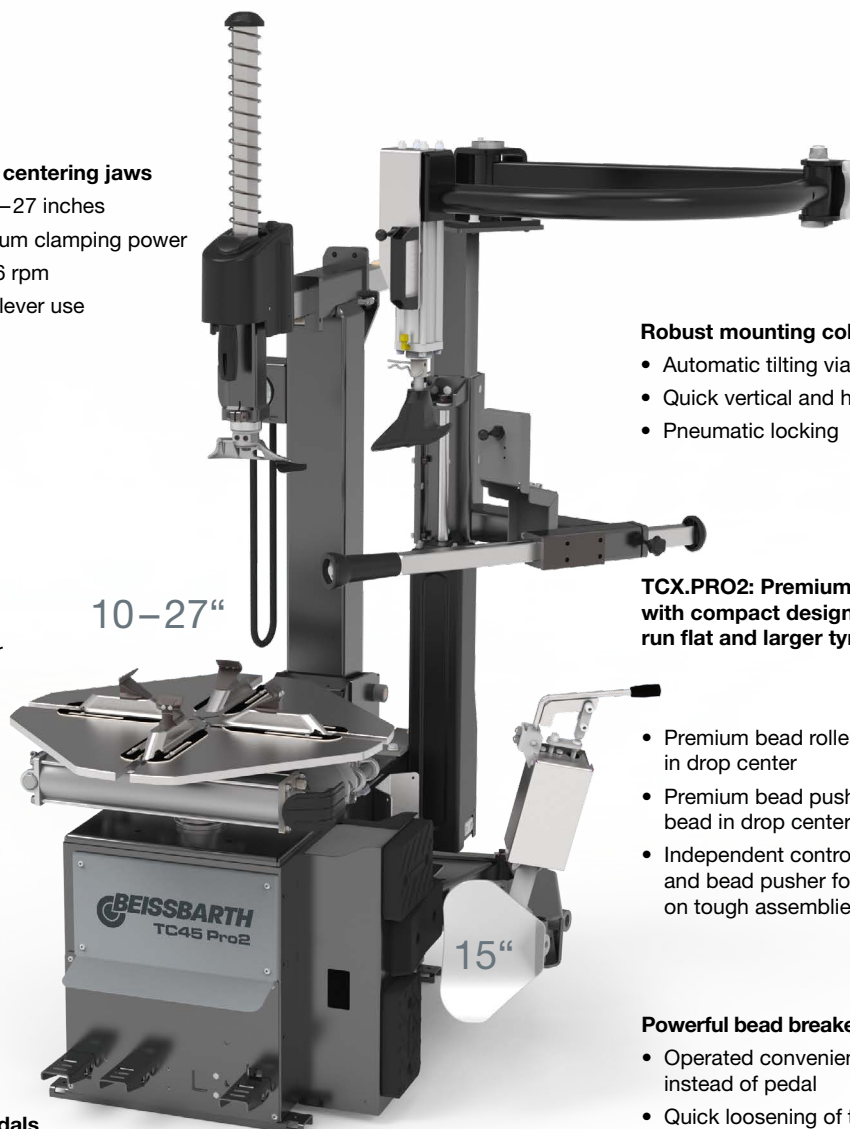
- Clamping range from 10–27 inches
- Duo cylinders for maximum clamping power
- 2 rotation speeds: 8 & 16 rpm
- Square shape for easier lever use

High rigidity by design

- Full metal pedals
- Powerful tool arm
- Robust metal front cover

Full control with three pedals

- Pedal control for rotation, column tilting and clamping
- Removable pedal unit for easier maintenance



Robust mounting column and head

- Automatic tilting via pedal
- Quick vertical and horizontal arm movement
- Pneumatic locking

TCX.PRO2: Premium assistance column with compact design to handle hard UHP, run flat and larger tyres

- Premium bead roller pushes bead in drop center
- Premium bead pusher arm keeps bead in drop center
- Independent control of bead roller and bead pusher for more control on tough assemblies

Powerful bead breaker side shovel

- Operated conveniently with lever instead of pedal
- Quick loosening of the bead
- Up to 15" tyre width
- Three-way adjustable blade
- Anti-skid rubber protection

Scope of delivery:

Description	TC45 Pro2
Order number	1 692 401 004
Inside clamping	12–27"
Outside clamping	10–24"
Max. wheel width	15" 381 mm
Max. wheel diameter	46" 1,170 mm
Turntable height	670 mm
Mounting paste holder	Up to 5 kg
Air supply	8–12 bar
Inflation	Pedal
Power	0,8–1,1 kW
Power supply	400 V 3 Ph 50–60 Hz
Rotation speed	8–16 rpm
WDK-approved	●
Assistance arm	TCX.Pro2
Bead roller	Premium
Bead pusher arm	Premium

Standard accessories	TC45 Pro2
Front head protection	5 x
Rear head protection	2 x
Cylinder protection	●
Power plug	●
Brush	●
Lever	WDK
Lever protection	●
Bead breaker protection	●
WDK RFT/UHP clamp	●
WDK rim protector	●

Optional accessories:



Storage kit
Provides additional storage
Order number: 1 692 402 014



Blast Inflation
Quickly seats the bead with powerful air blast
Order number: 1 692 402 029

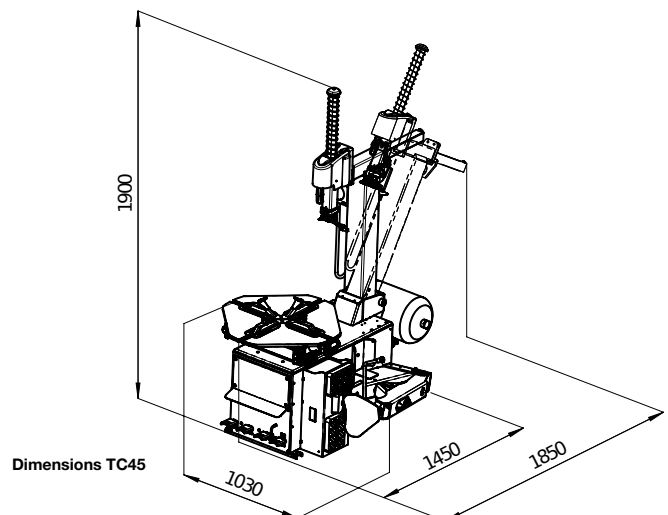
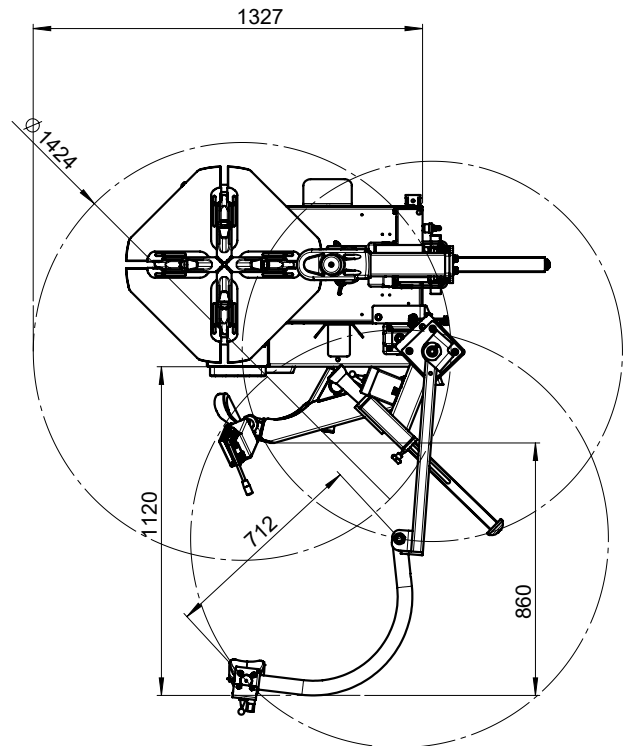


BeadLock Pro
Prevents hard tyres from rotating on the rim
Order number: 1 692 402 003



Roller board
Rotate wheels for bead breaking without lifting
Order number: 1 692 402 036

Working range TC45 Pro2



Dimensions TC45